

# Circuit Diagram

**iR7105/7095/7086 Series**

**Canon**



## IMPORTANT

This documentation is published by Canon Inc., Japan, to serve as a source of reference for work in the field.

Specifications and other information contained herein may vary slightly from actual machine values or those found in advertising and other printed matter.

Any questions regarding the information contained herein should be directed to the Copier Service Department of the Sales Company.

This documentation is intended for all sales areas, and may contain information not applicable to certain areas.

Reproduction without permission not allowed.

Use of this manual should be strictly supervised to avoid disclosure of confidential information.

***COPYRIGHT 2001 CANON INC.***

*Printed in Japan*

### Caution

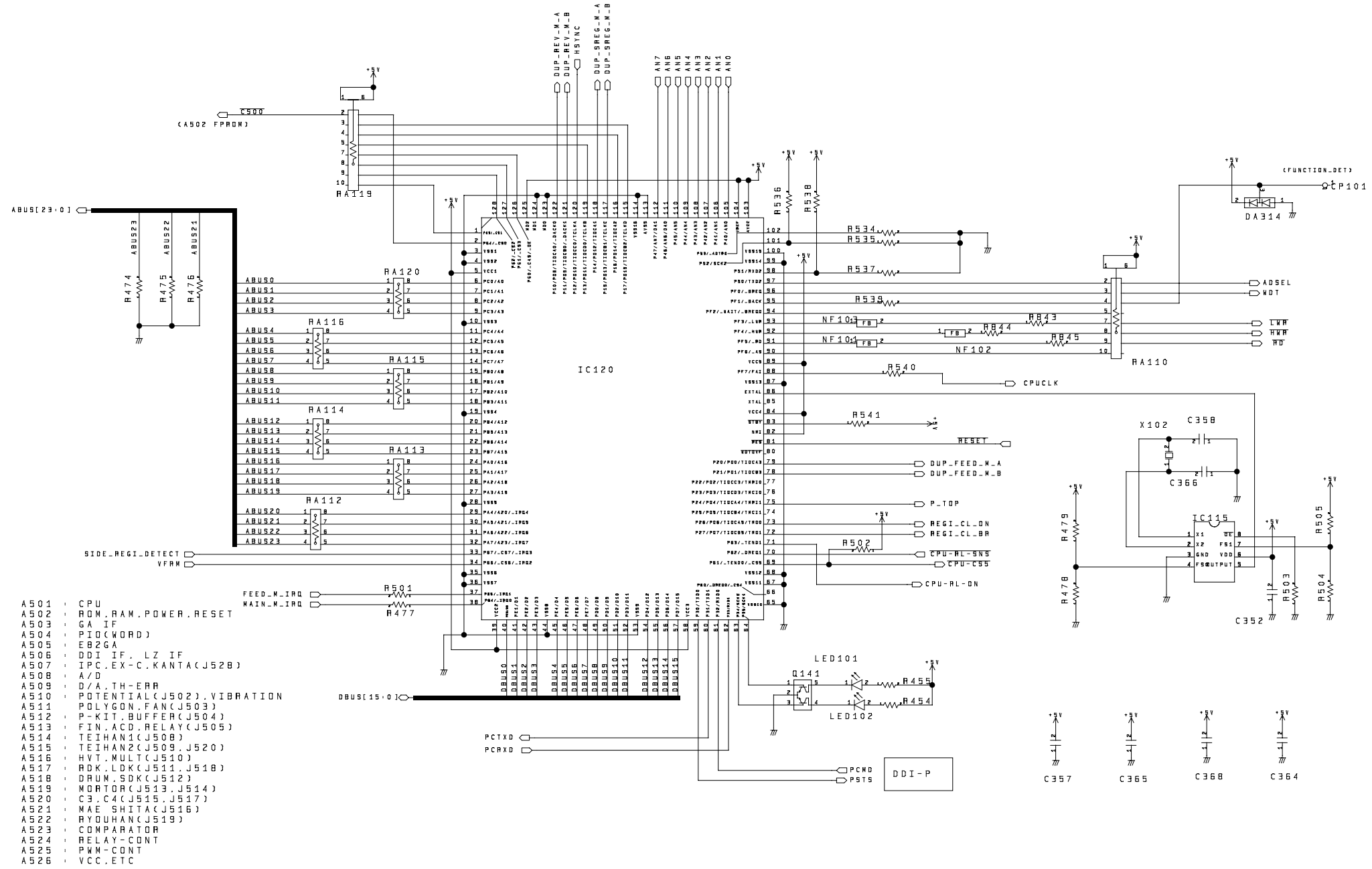
Use of this manual should be strictly supervised to avoid disclosure of confidential information.



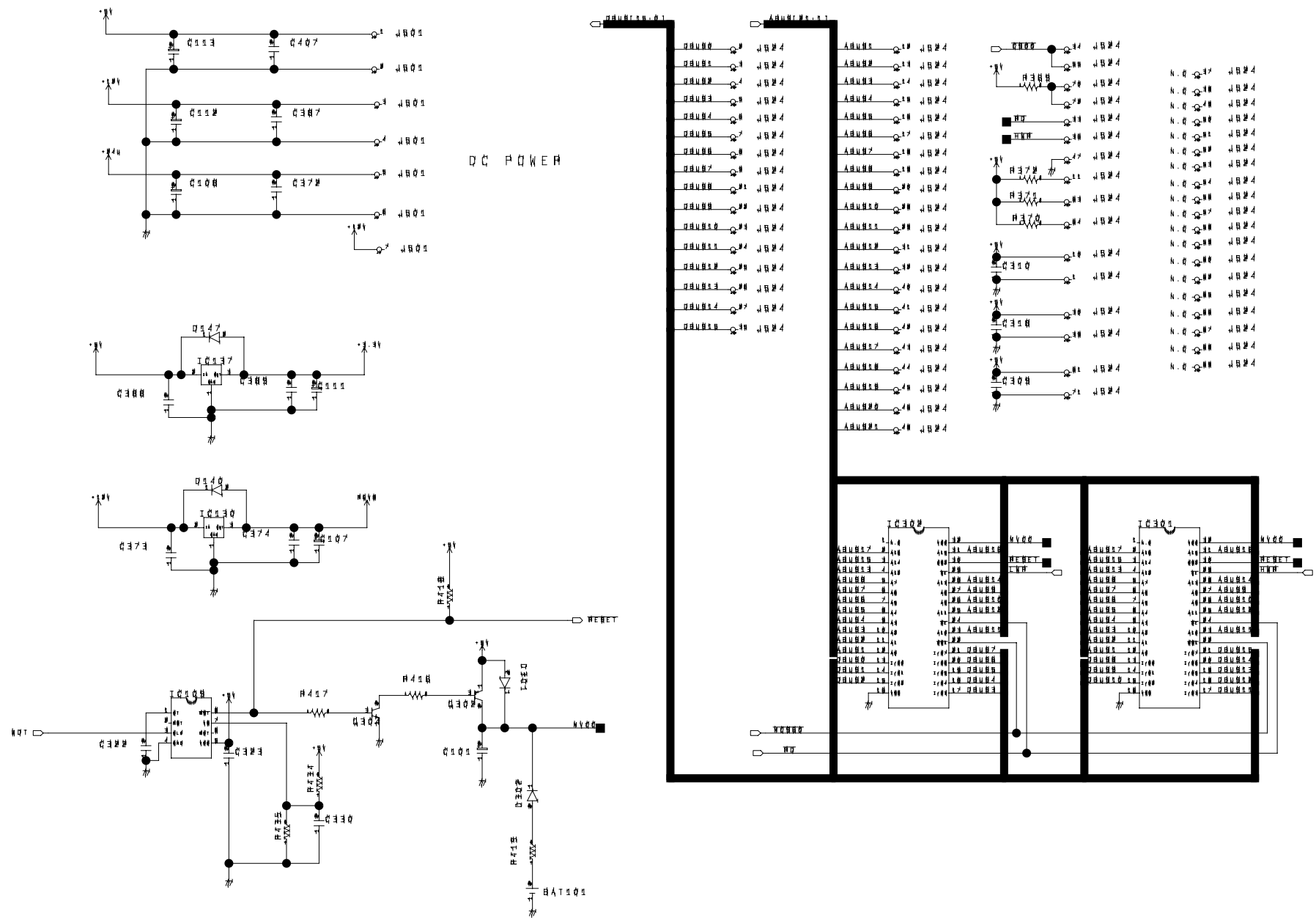
## Contents

1 Controller.....	1
DC controller PCB.....	1
Reader Controller PCB.....	26
2 Reader unit.....	39
Analog Processor PCB.....	39
3 Printer unit.....	45
AC Driver PCB.....	45
HVT PCB.....	46
Control Panel CPU PCB.....	53
Panel Switch PCB.....	56
DC Power Supply PCB.....	57





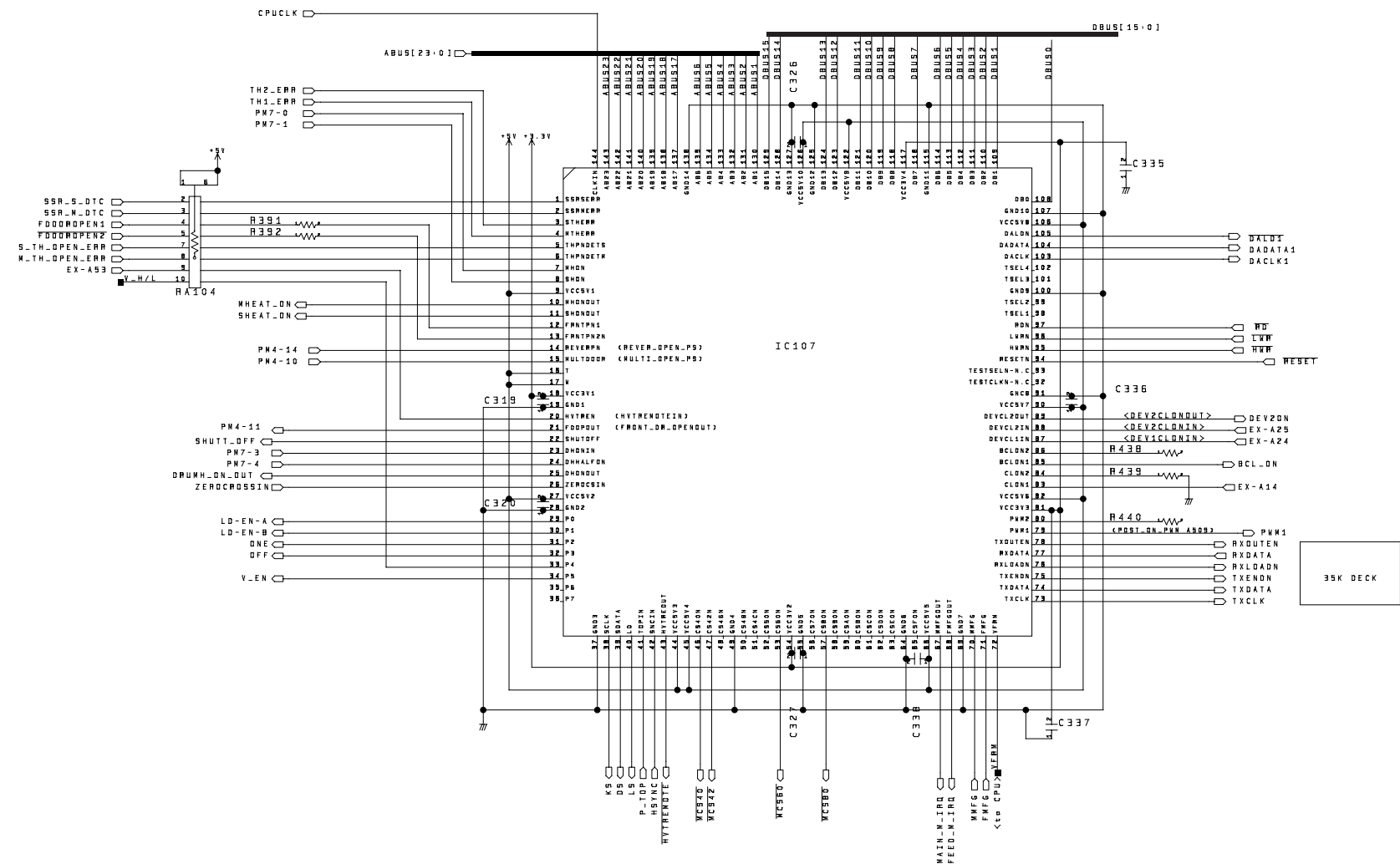
F-1-1



F-1-2

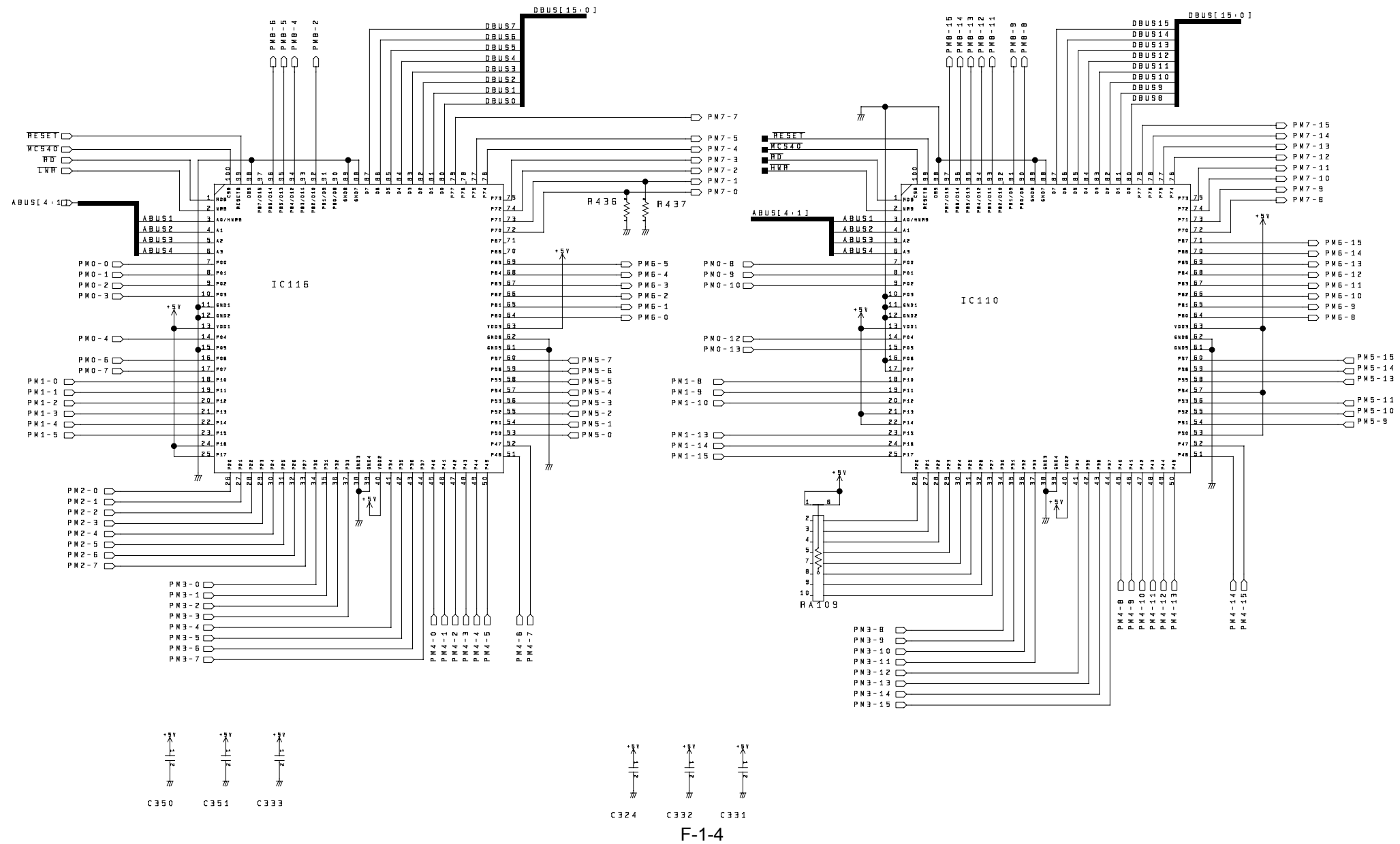
DC CONTROLLER PCB (3/26)  
iR7105 / iR7095 / iR7086



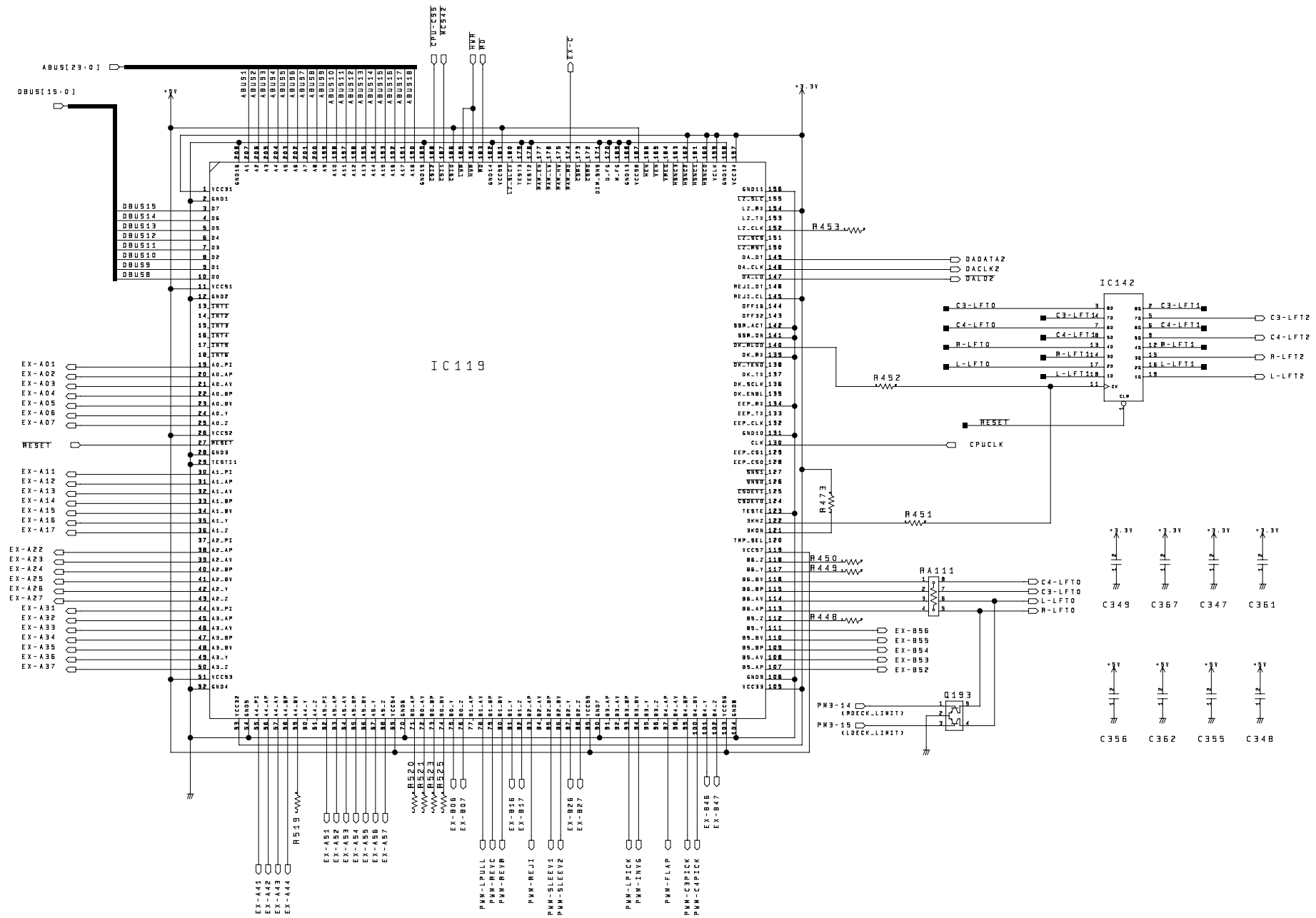


F-13

DC CONTROLLER PCB (4/26)  
 iR7105 / iR7095 / iR7086

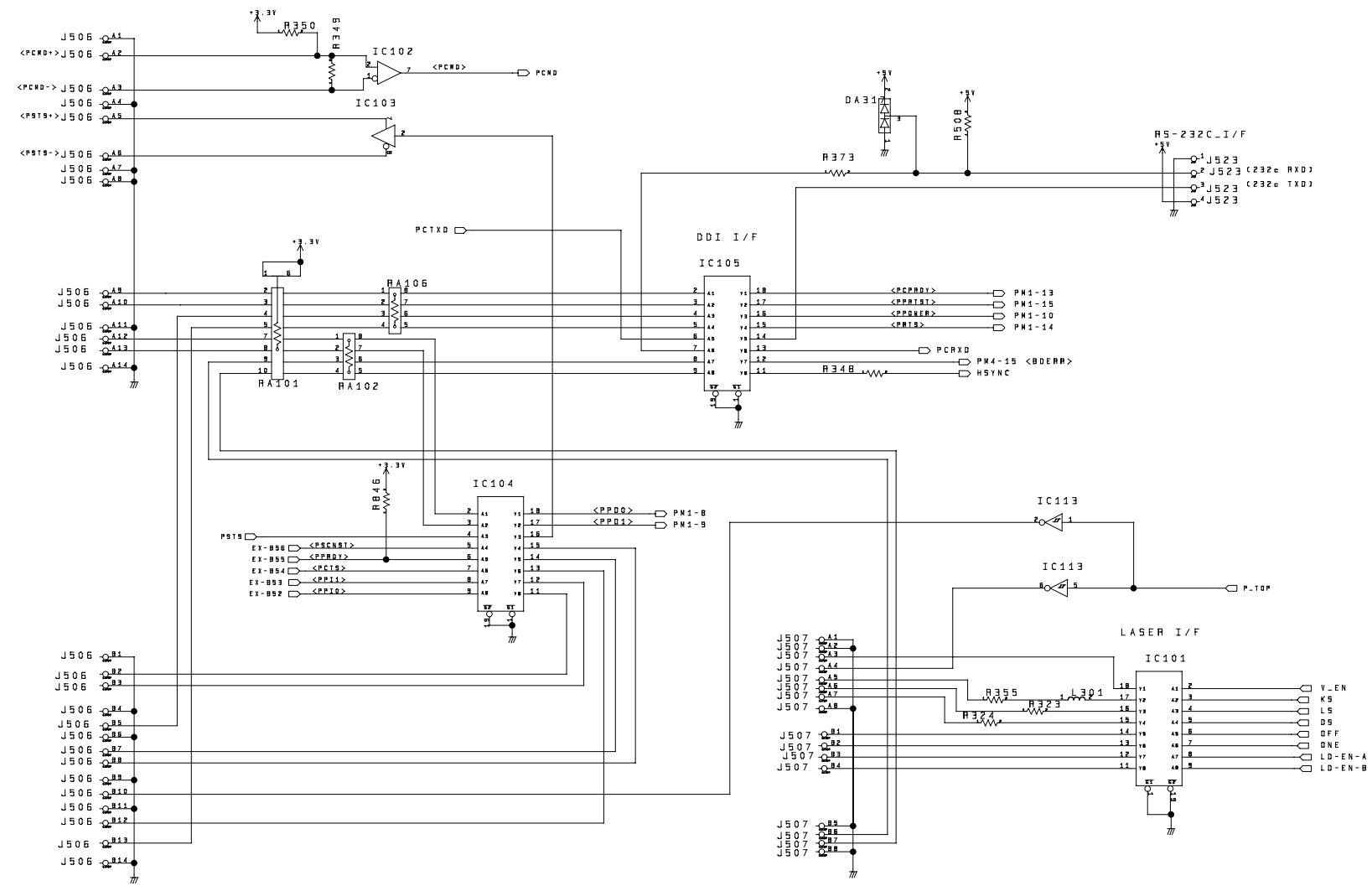


DC CONTROLLER PCB (5/26)  
iR7105 / iR7095 / iR7086



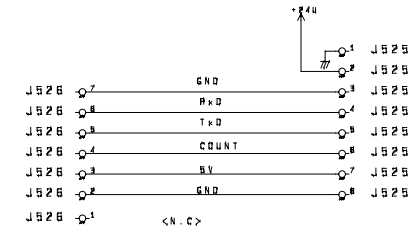
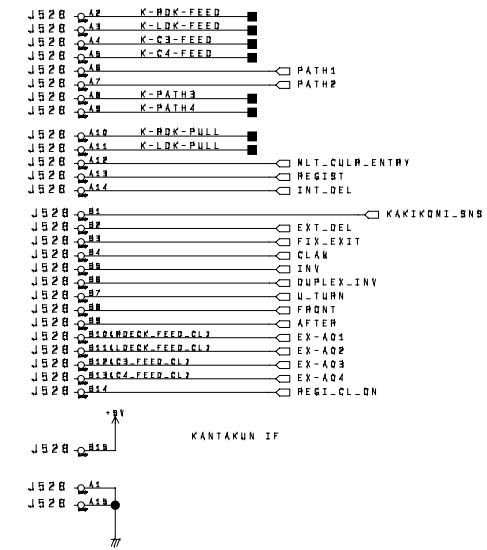
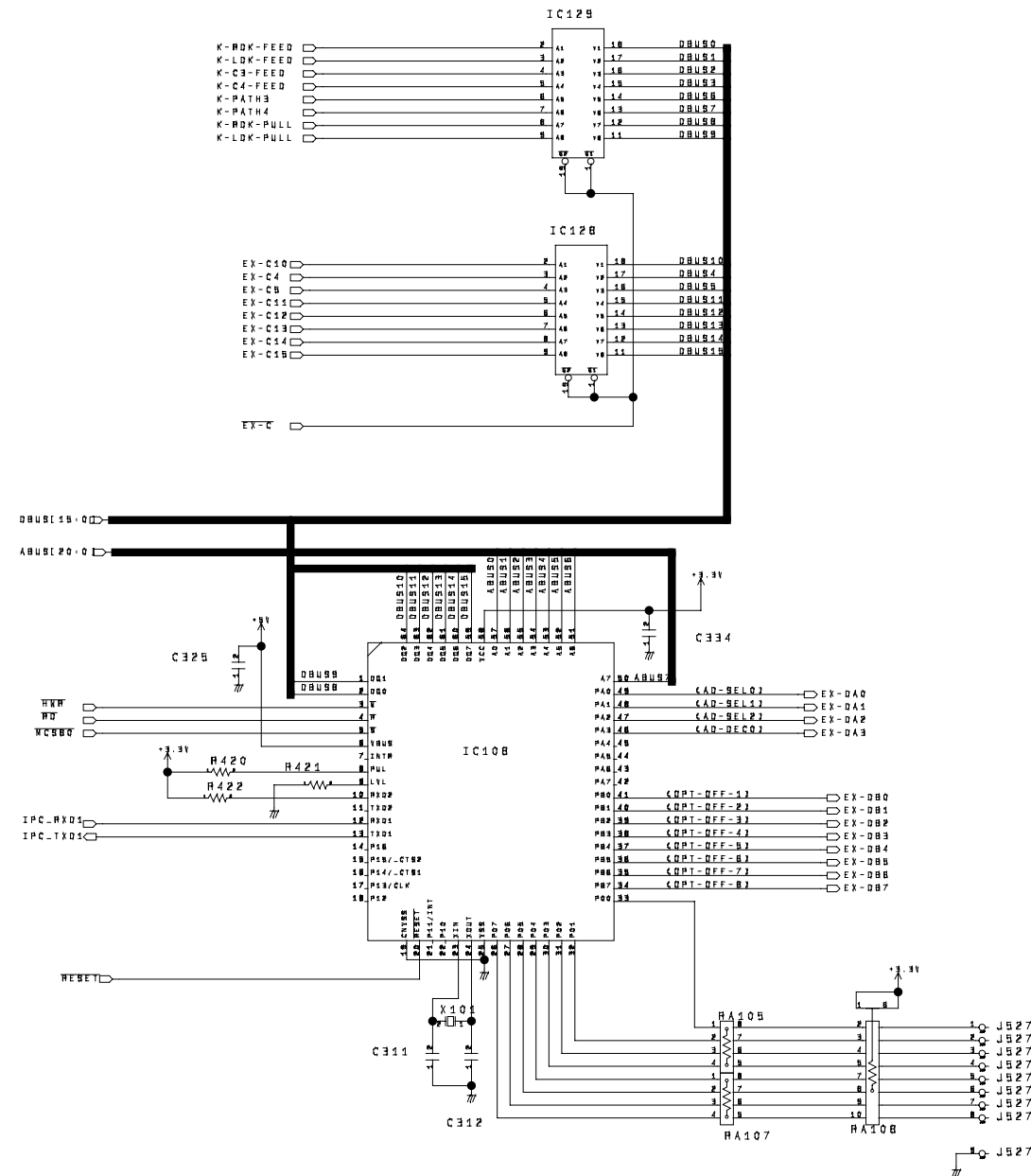
F-15

DC CONTROLLER PCB (6/26)  
iR7105 / iR7095 / iR7086



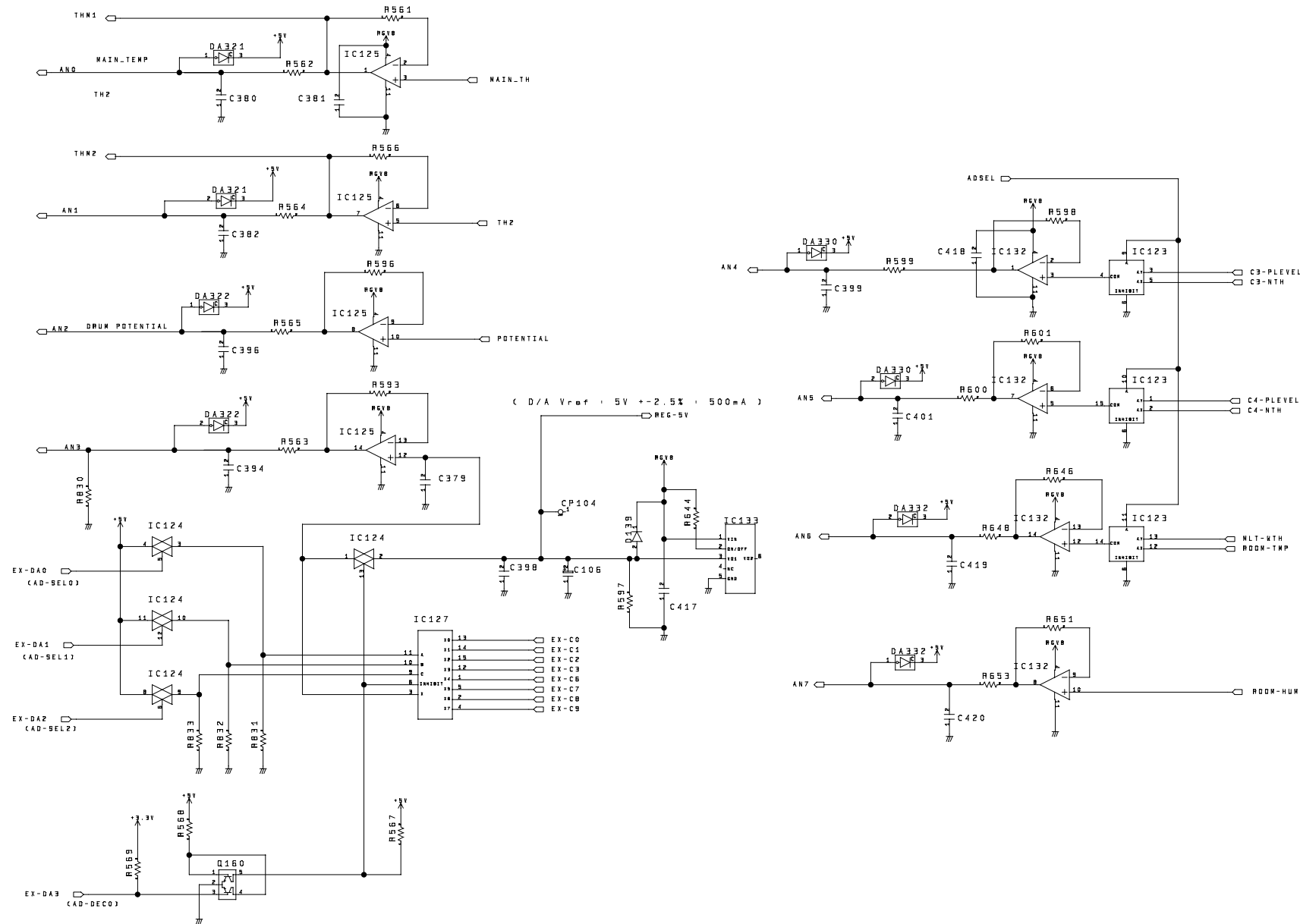
F-1-6

DC CONTROLLER PCB (7/26)  
iR7105 / iR7095 / iR7086



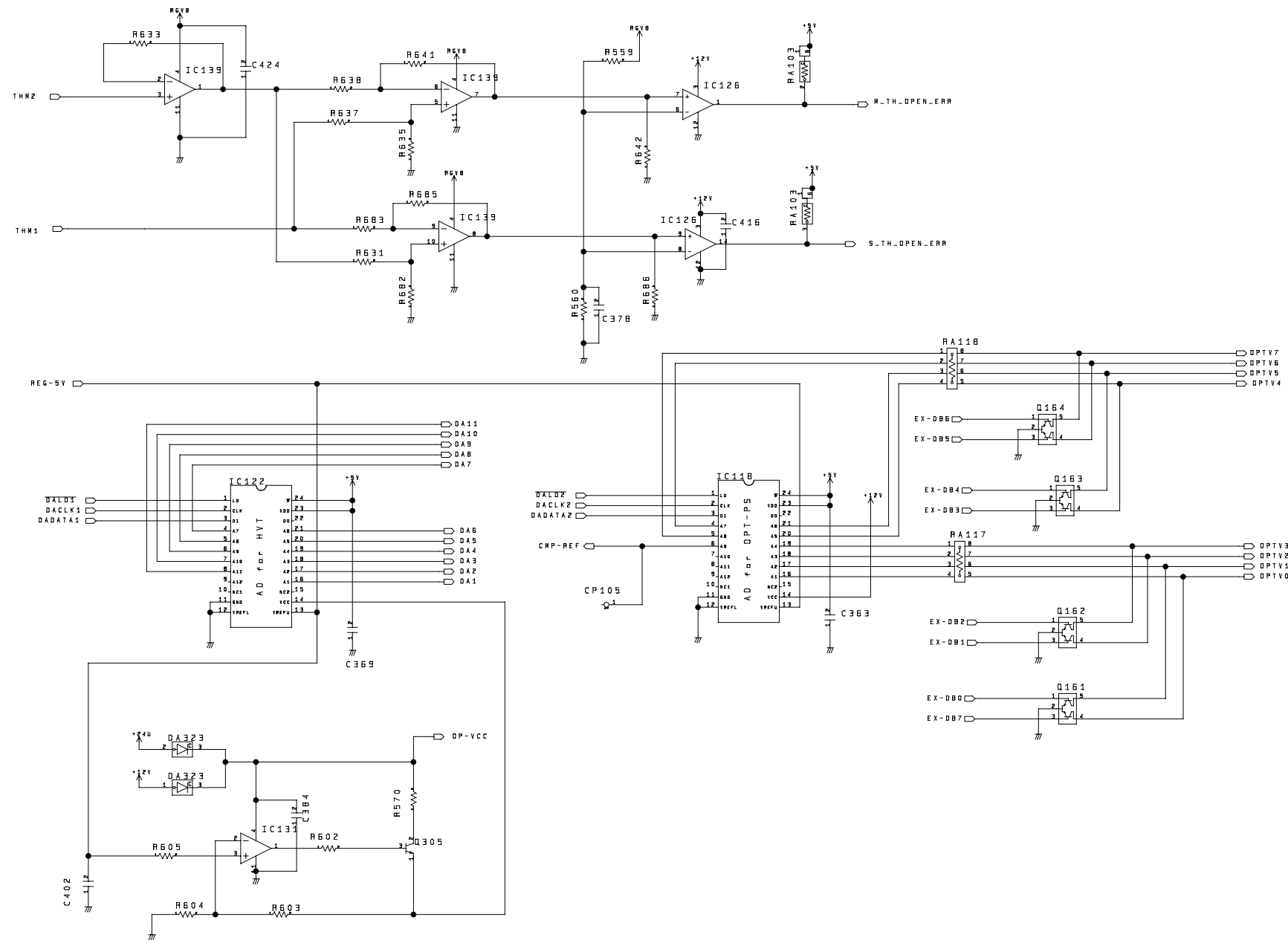
F-1-7

DC CONTROLLER PCB (8/26)  
iR7105 / iR7095 / iR7086



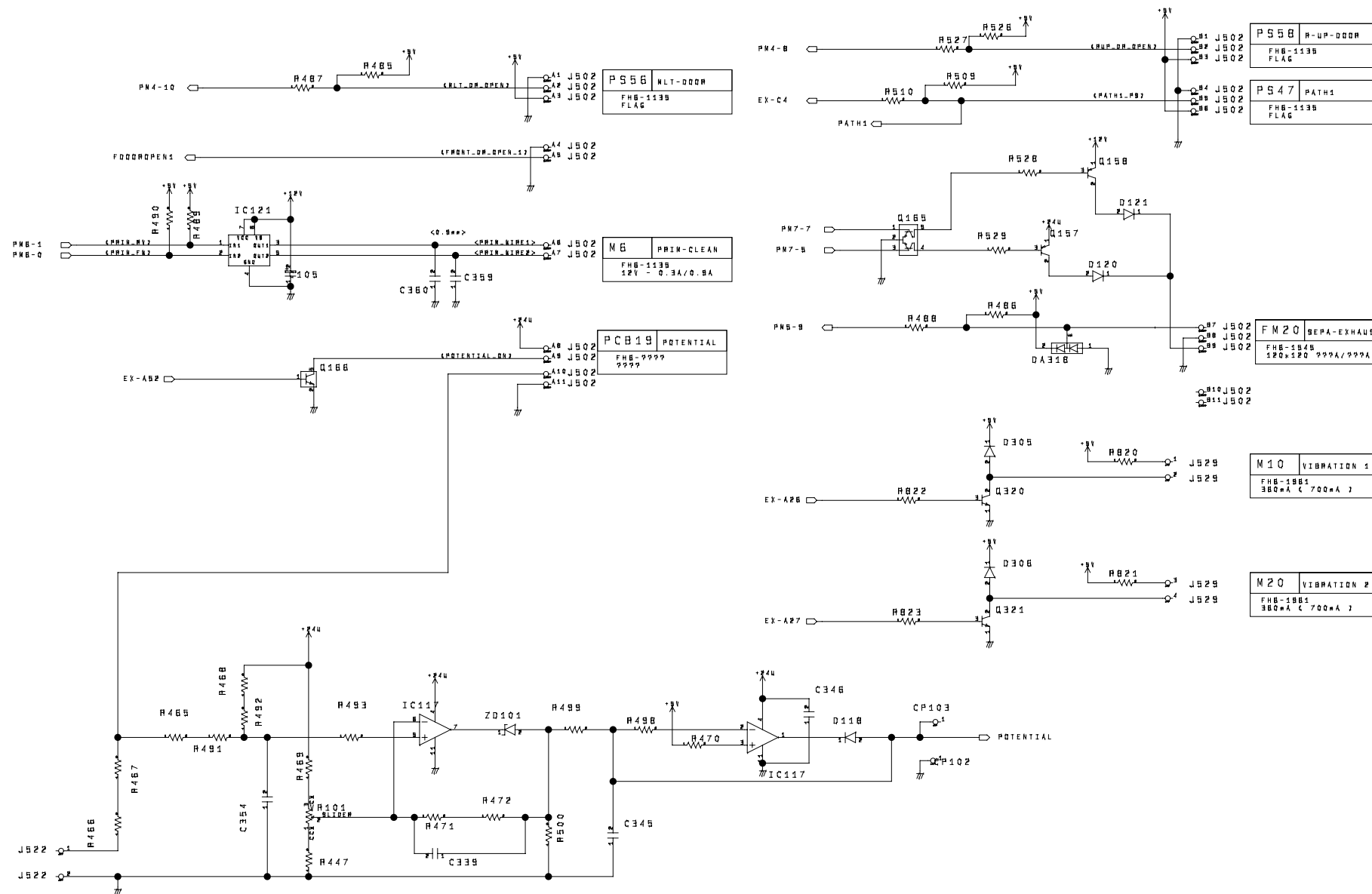
F-1-8

DC CONTROLLER PCB (9/26)  
iR7105 / iR7095 / iR7086



F-1-9

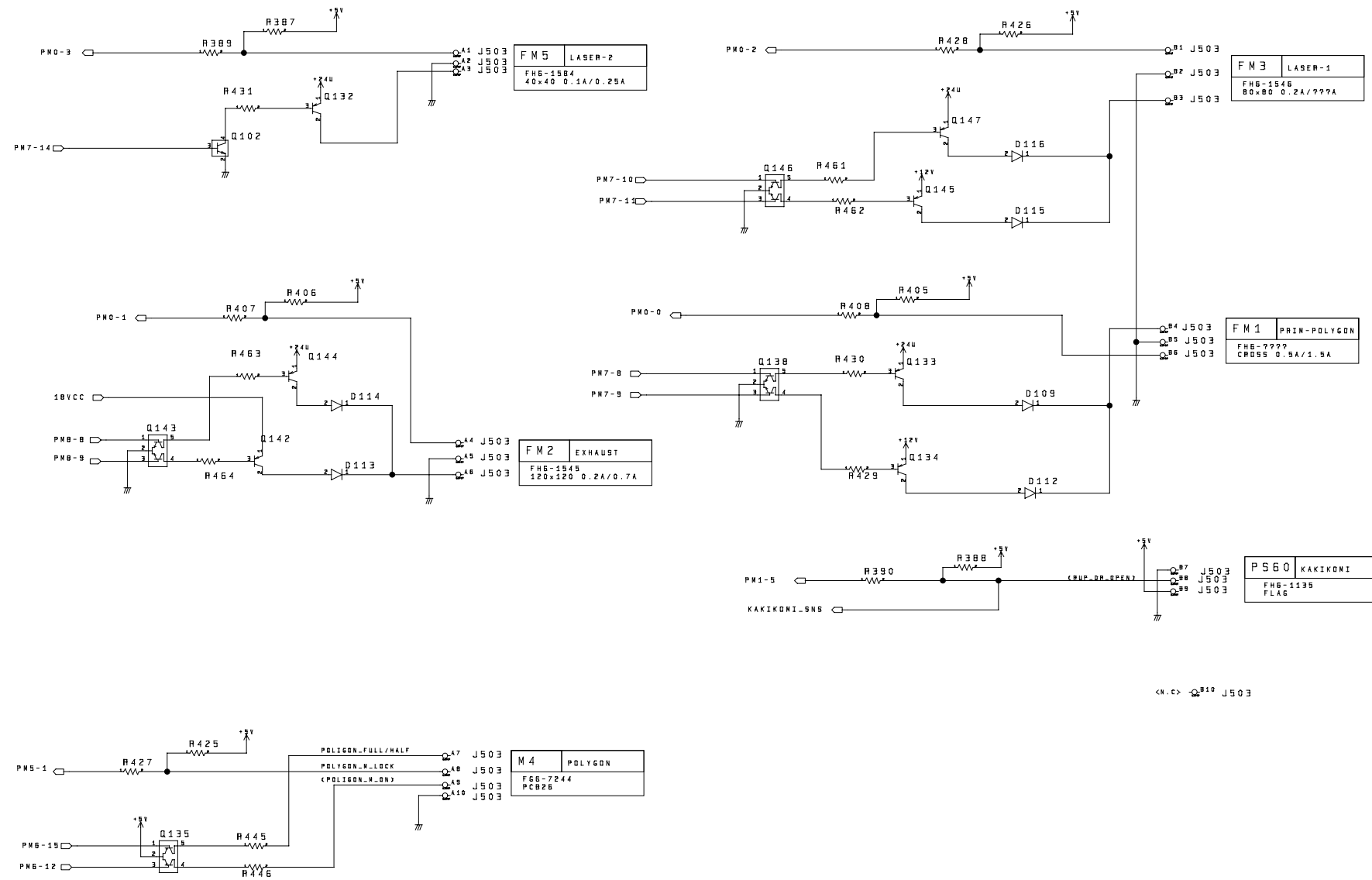
DC CONTROLLER PCB (10/26)  
iR7105 / iR7095 / iR7086



F-1-10

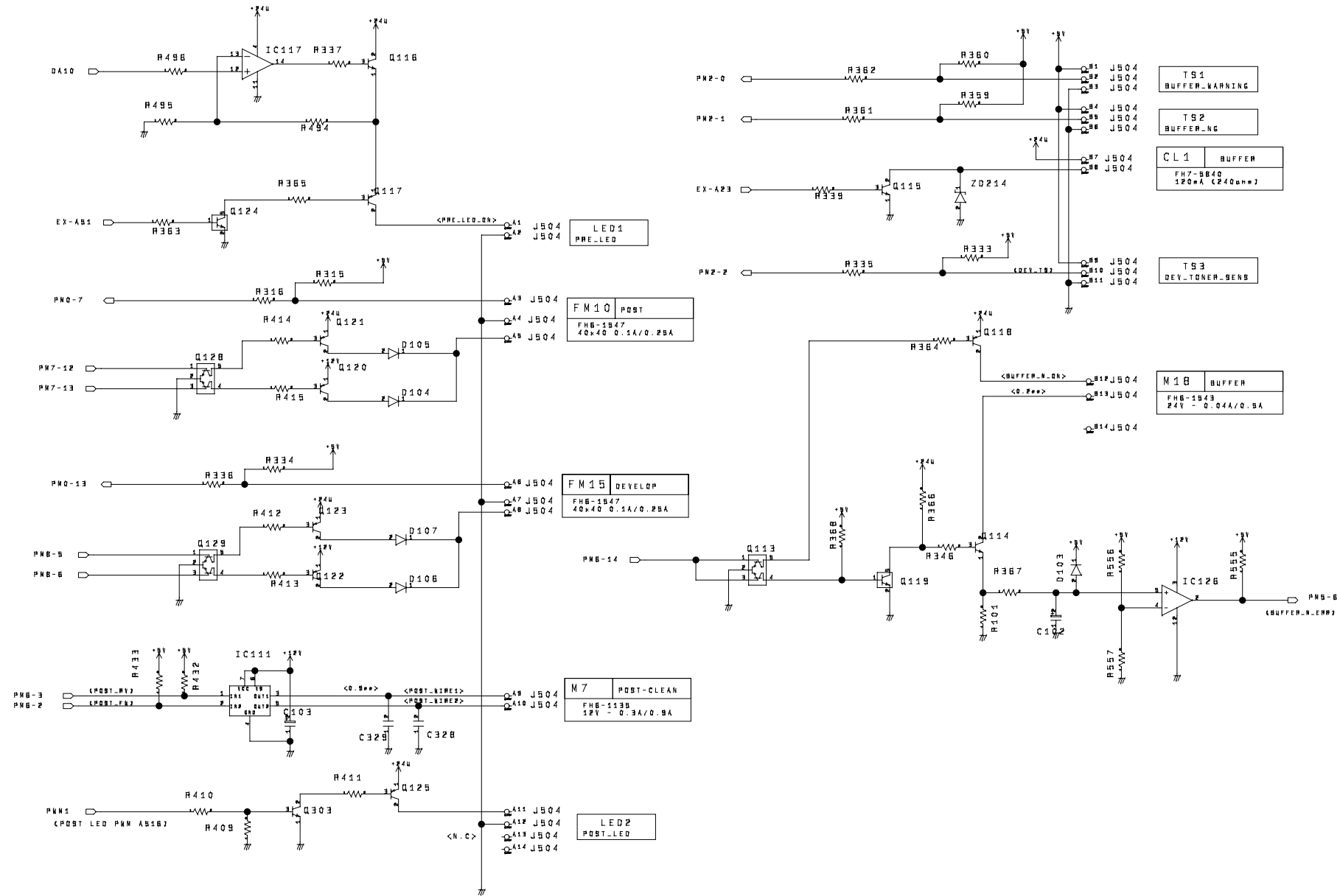
DC CONTROLLER PCB (11/26)  
iR7105 / iR7095 / iR7086





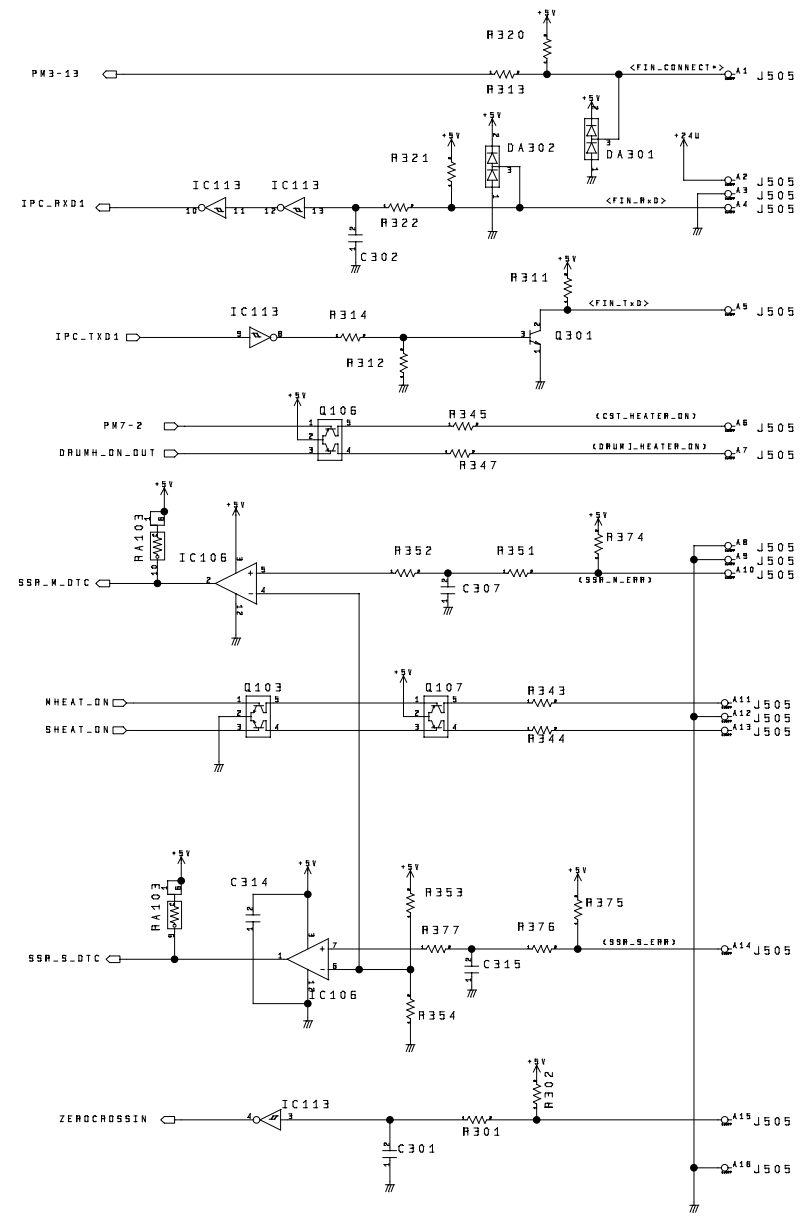
F-1-11

DC CONTROLLER PCB (12/26)  
iR7105 / iR7095 / iR7086



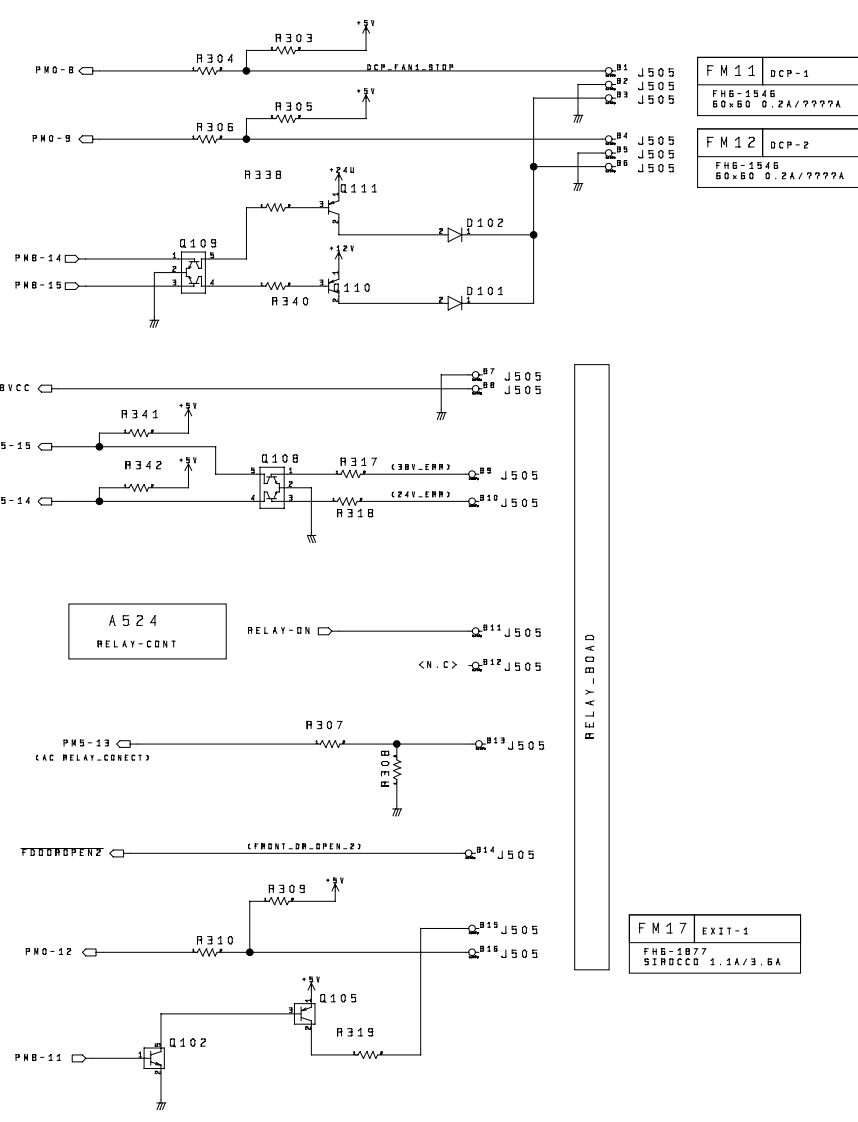
F-1-12

DC CONTROLLER PCB (13/26)  
iR7105 / iR7095 / iR7086



FINISHER

AC-DRIVER



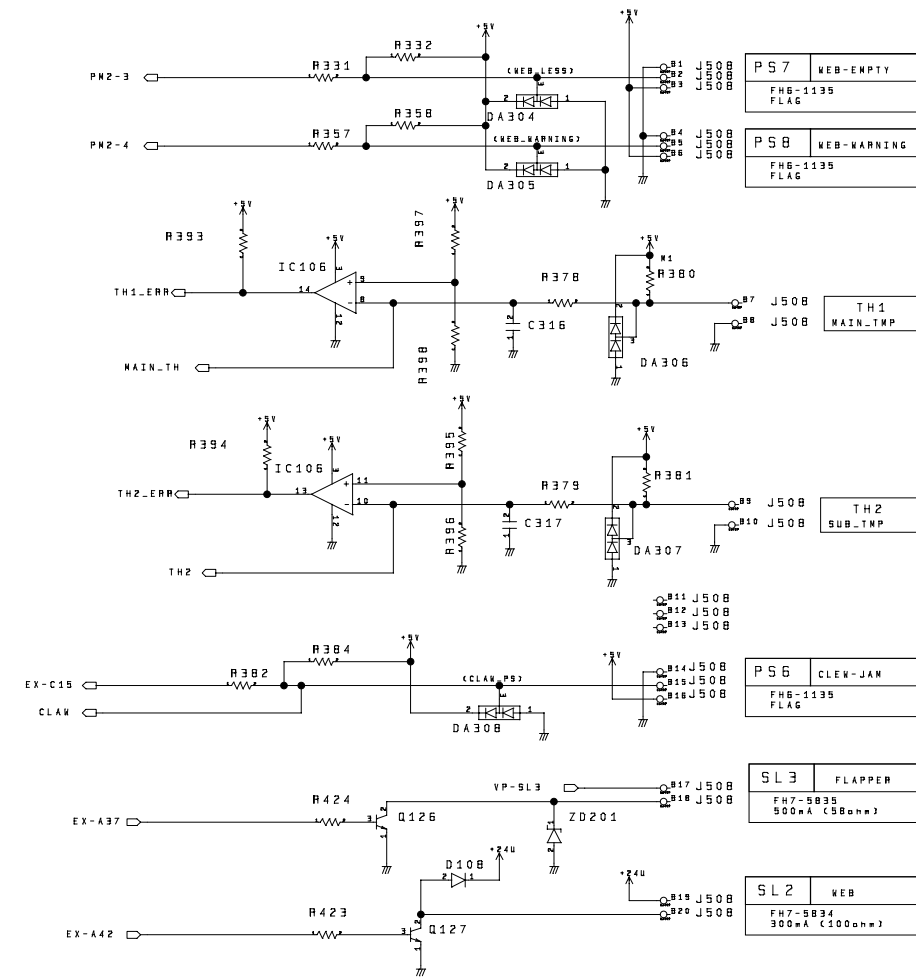
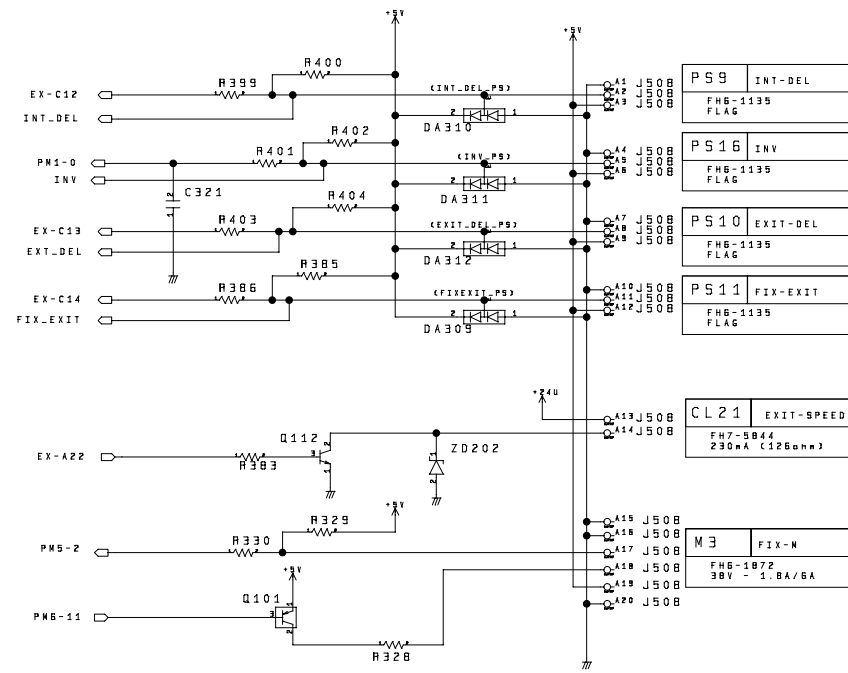
RELAY\_BOARD

FM11	DCP-1
FHG-1546 60x60 0.2A/7777A	
FM12	DCP-2
FHG-1546 60x60 0.2A/7777A	

FM17	EXIT-1
FHG-1877 SIR0CCD 1.1A/3.6A	

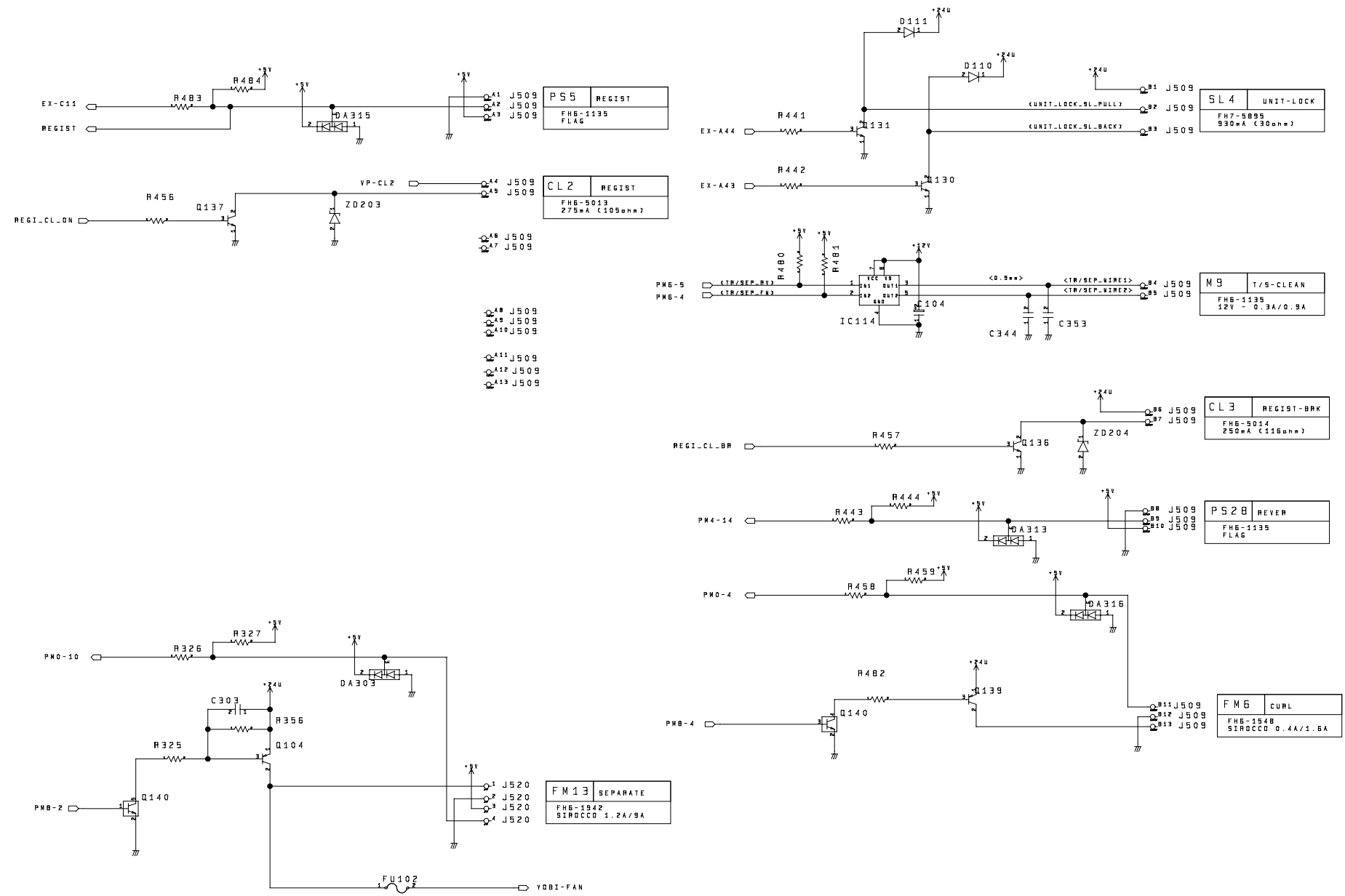
F-1-13

DC CONTROLLER PCB (14/26)  
iR7105 / iR7095 / iR7086



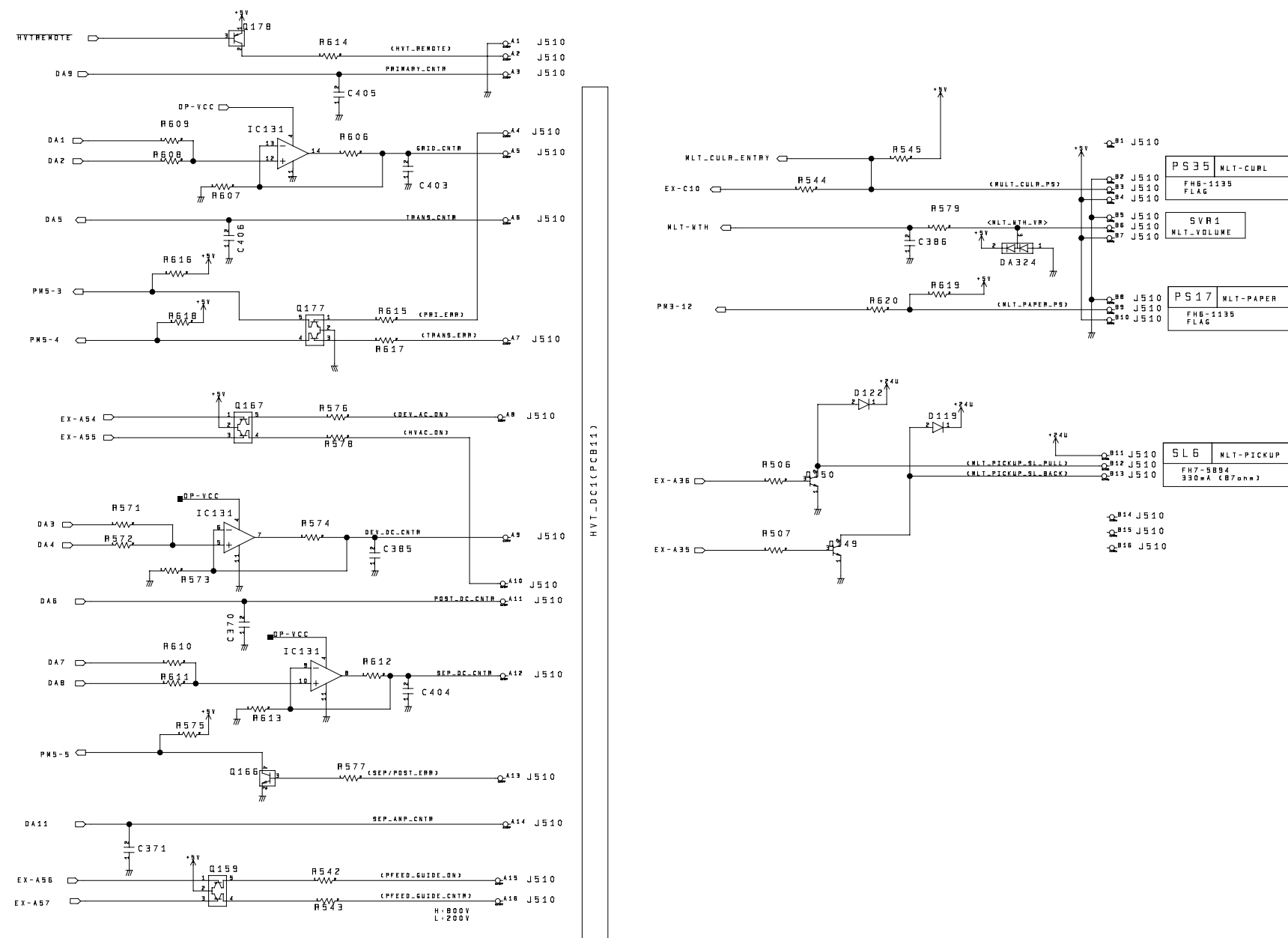
F-1-14

DC CONTROLLER PCB (15/26)  
 iR7105 / iR7095 / iR7086



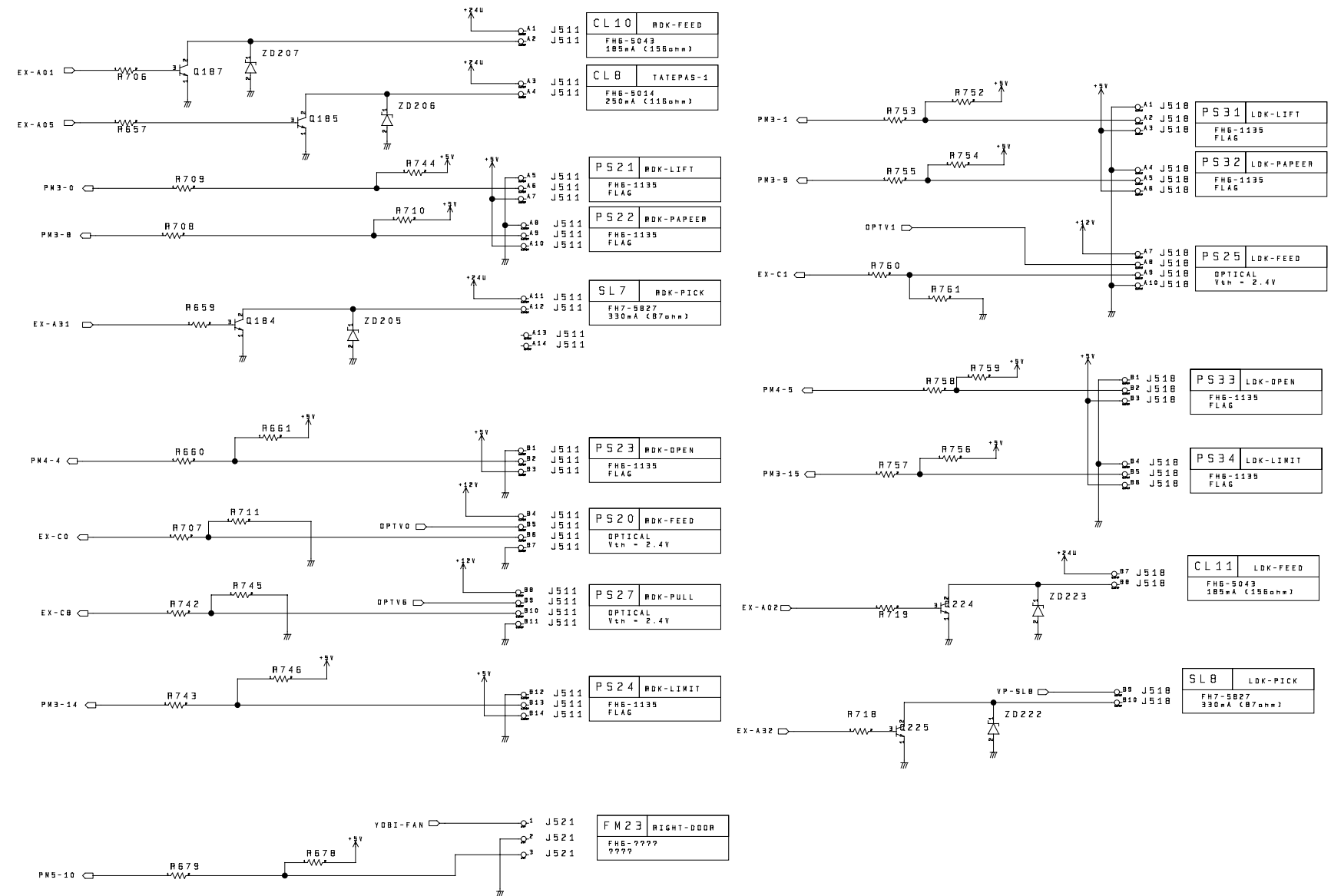
F-1-15

DC CONTROLLER PCB (16/26)  
iR7105 / iR7095 / iR7086



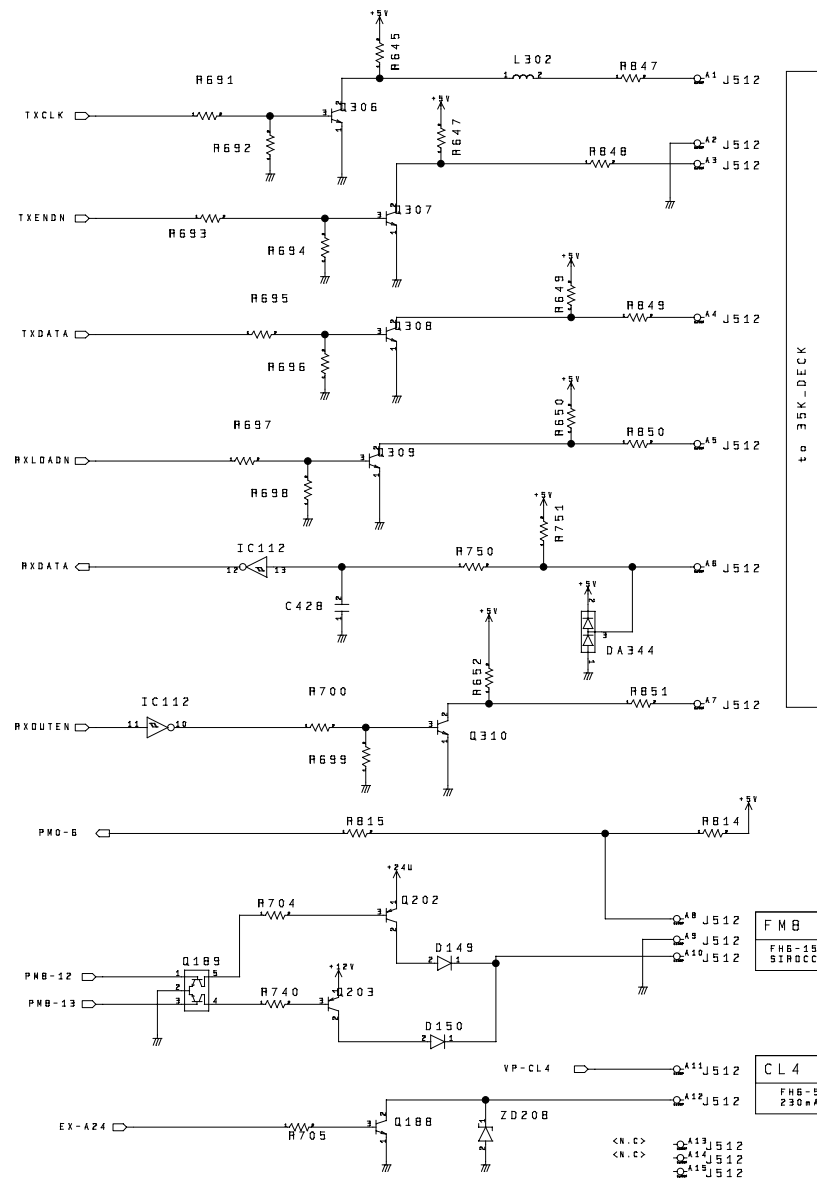
F-1-16

DC CONTROLLER PCB (17/26)  
iR7105 / iR7095 / iR7086

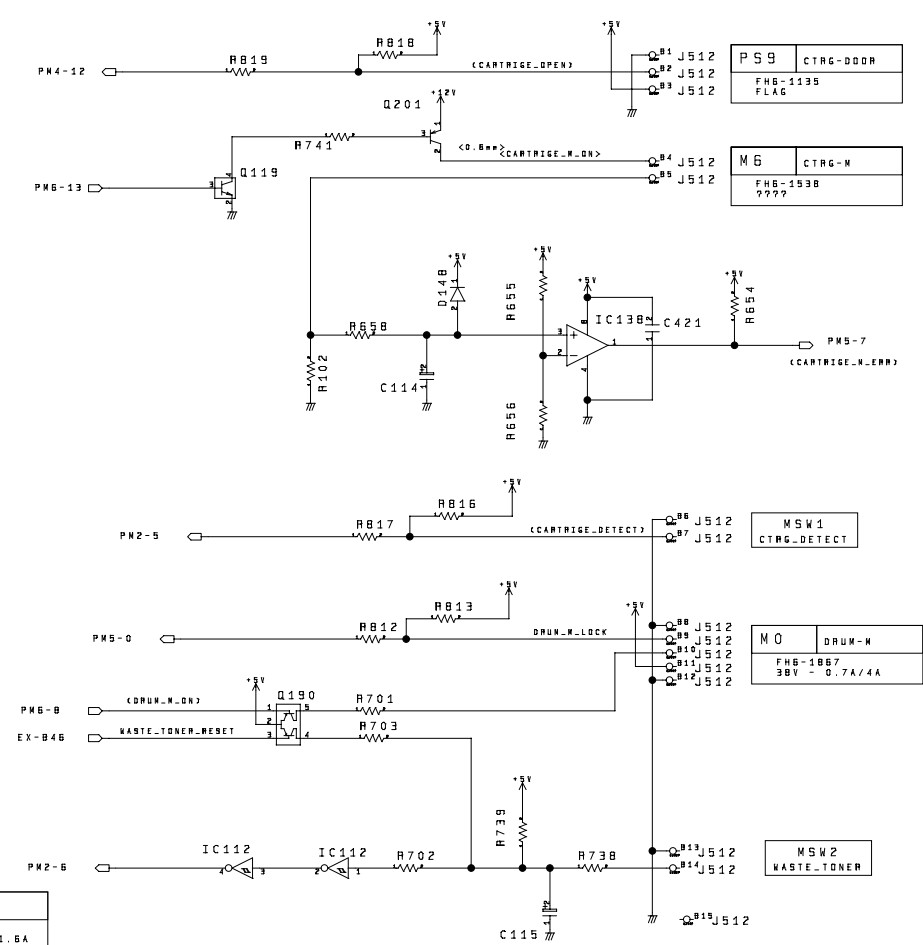


F-1-17

DC CONTROLLER PCB (18/26)  
iR7105 / iR7095 / iR7086



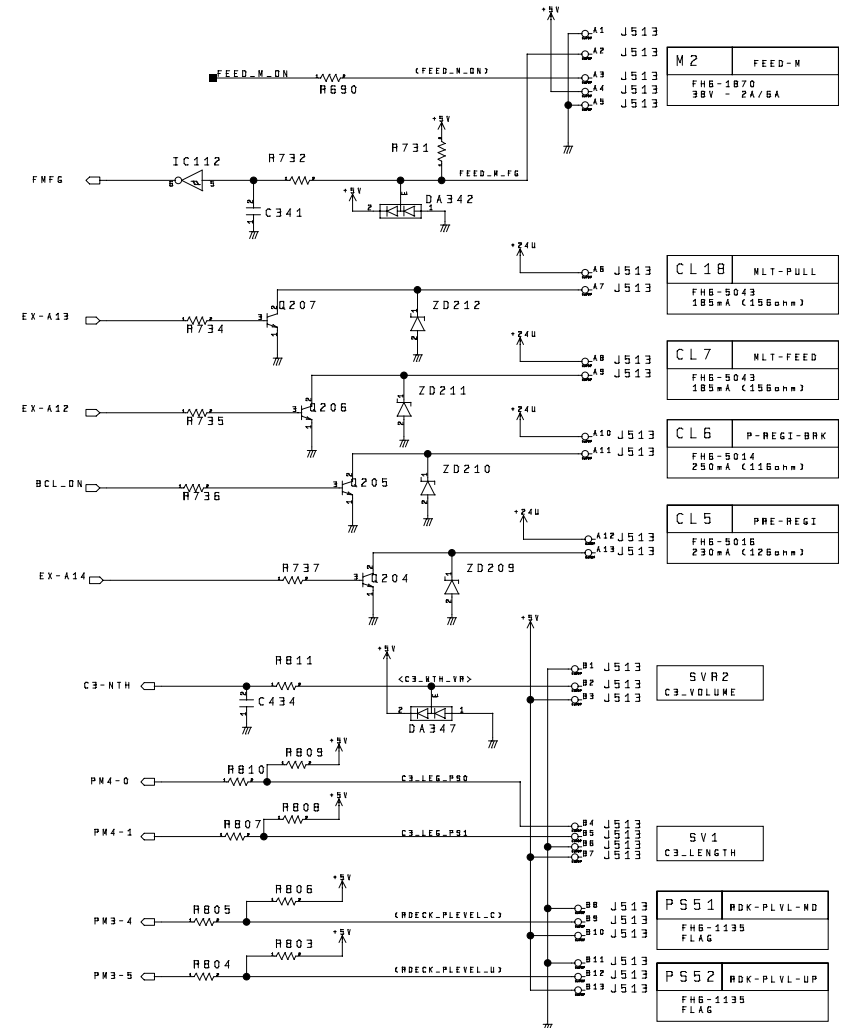
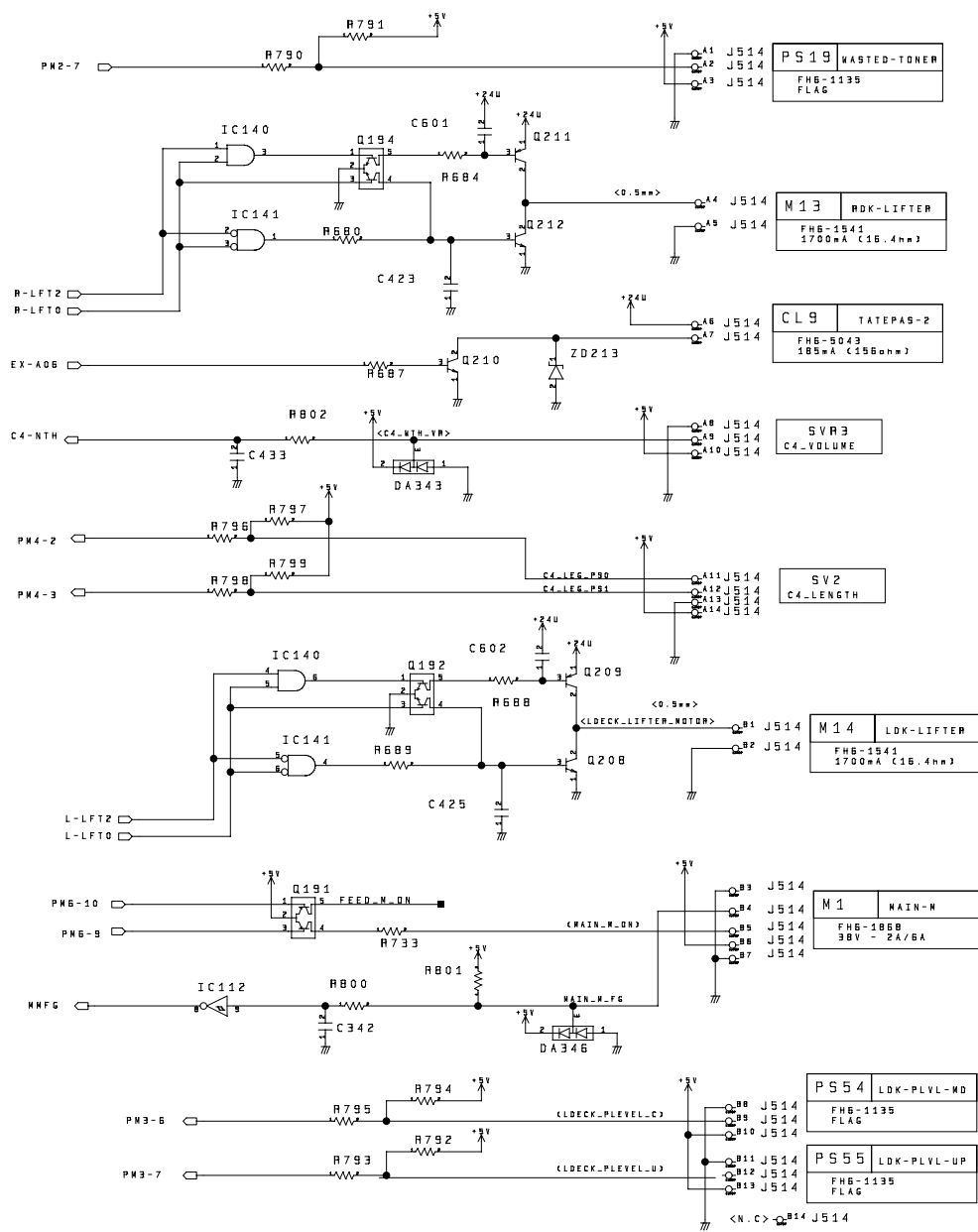
to 35K-DECK



F-1-18

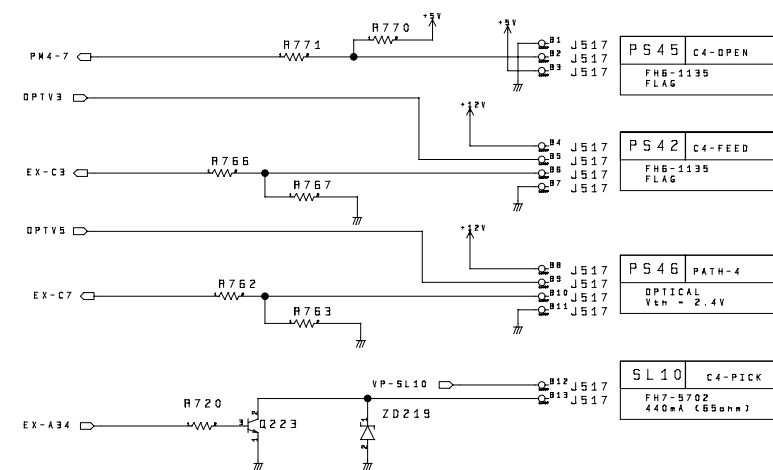
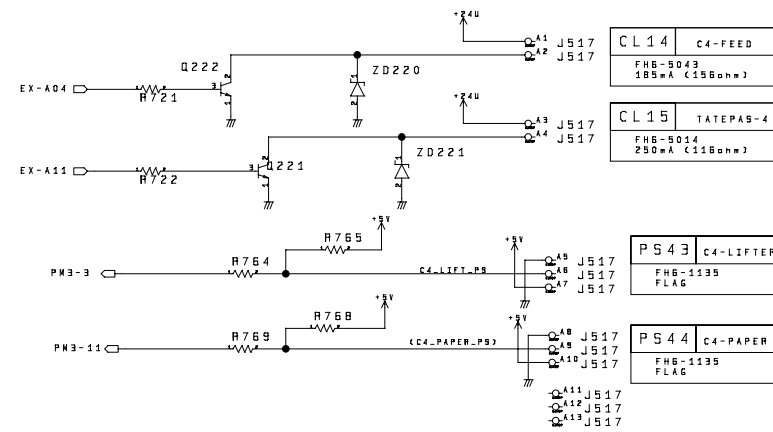
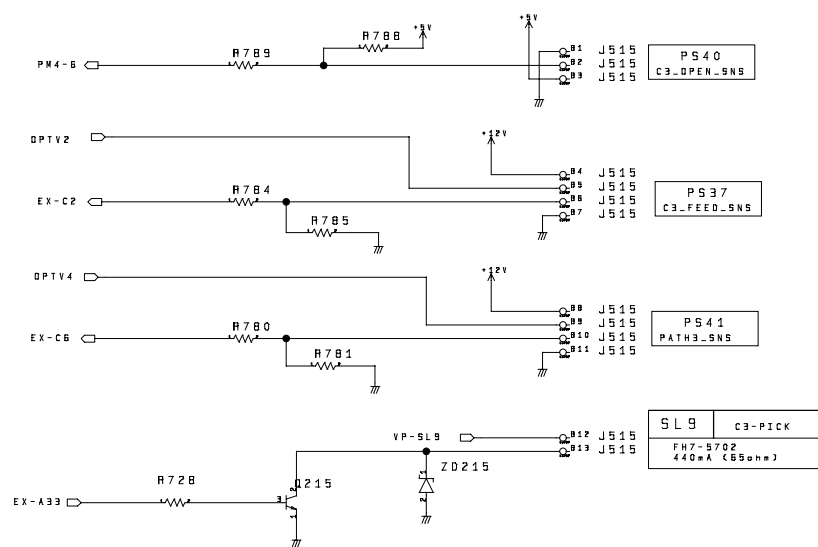
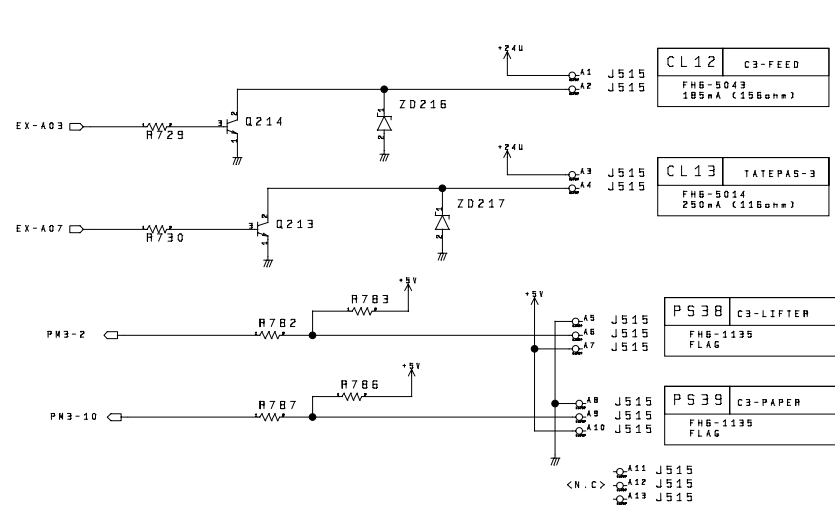
DC CONTROLLER PCB (19/26)  
iR7105 / iR7095 / iR7086





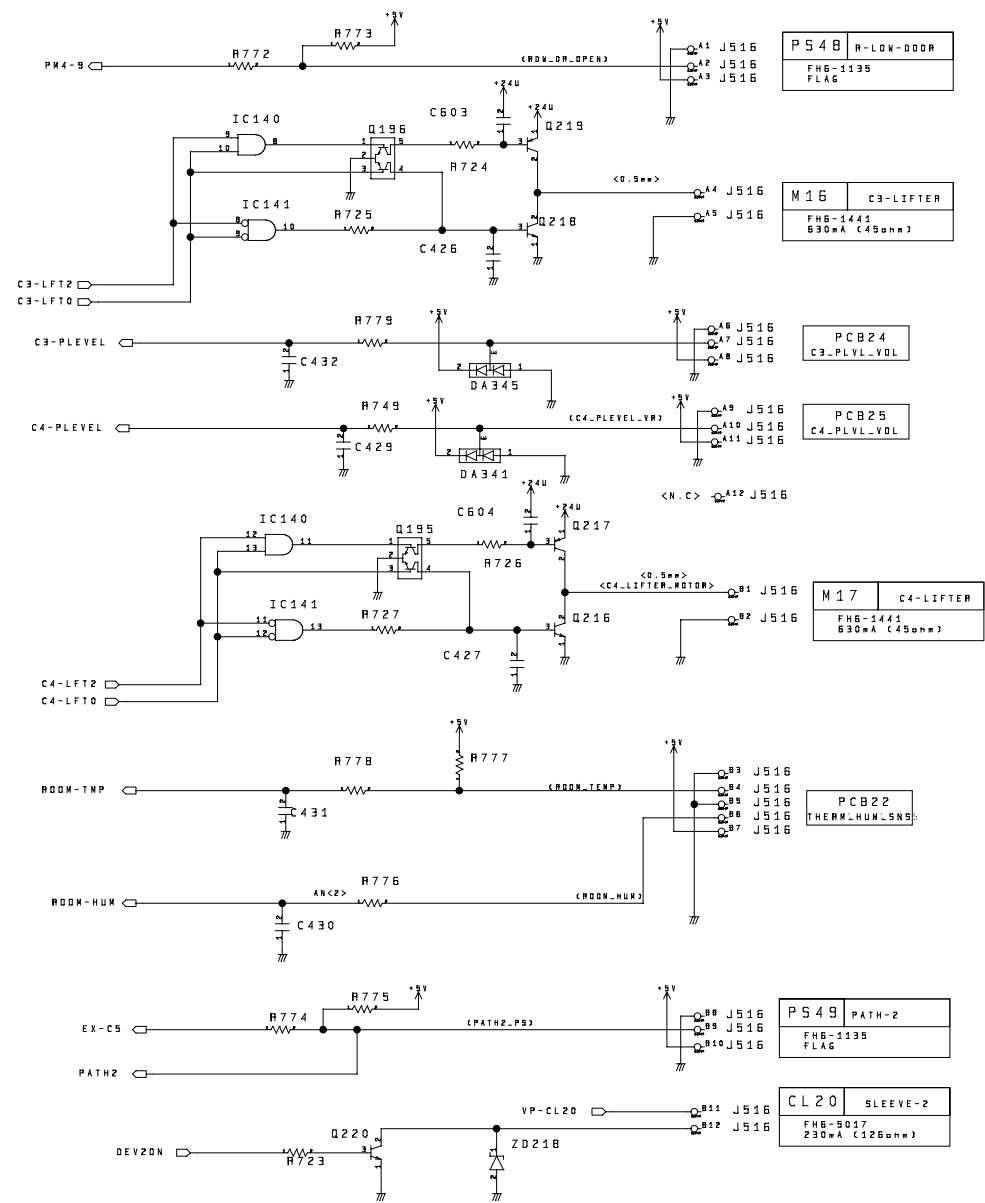
F-1-19

DC CONTROLLER PCB (20/26)  
iR7105 / iR7095 / iR7086



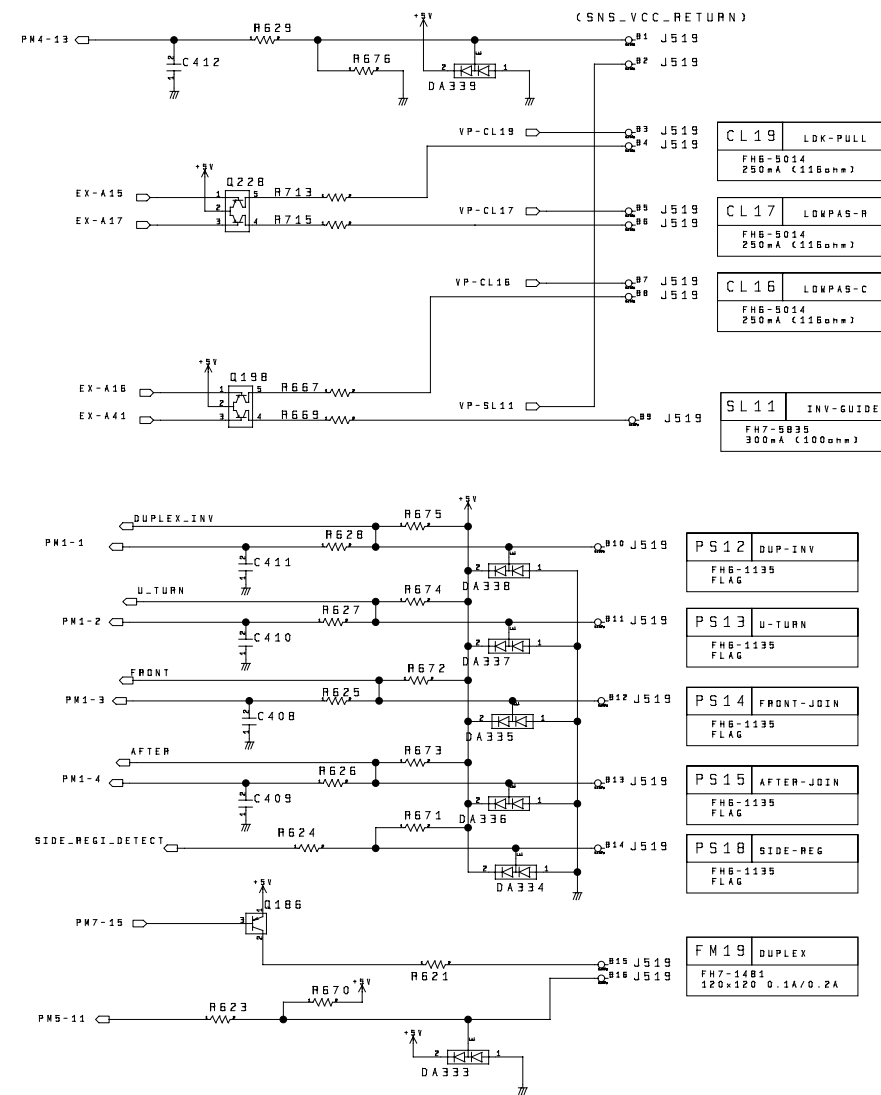
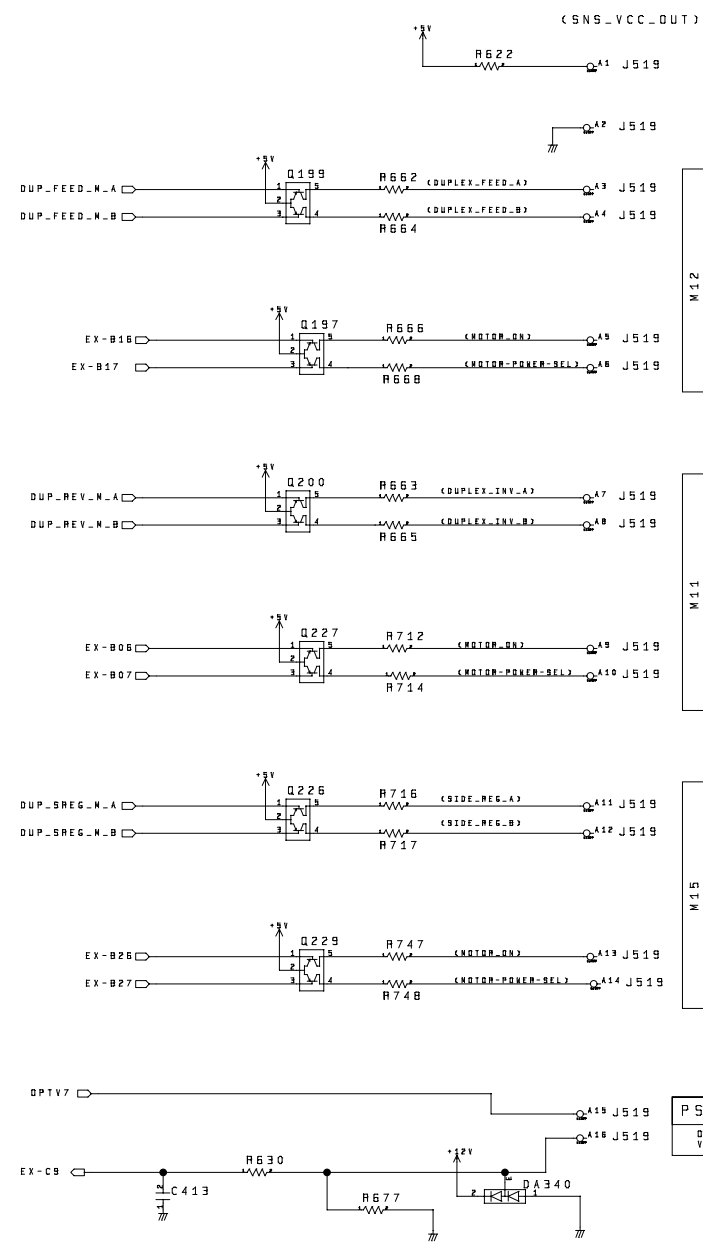
F-1-20

DC CONTROLLER PCB (21/26)  
iR7105 / iR7095 / iR7086

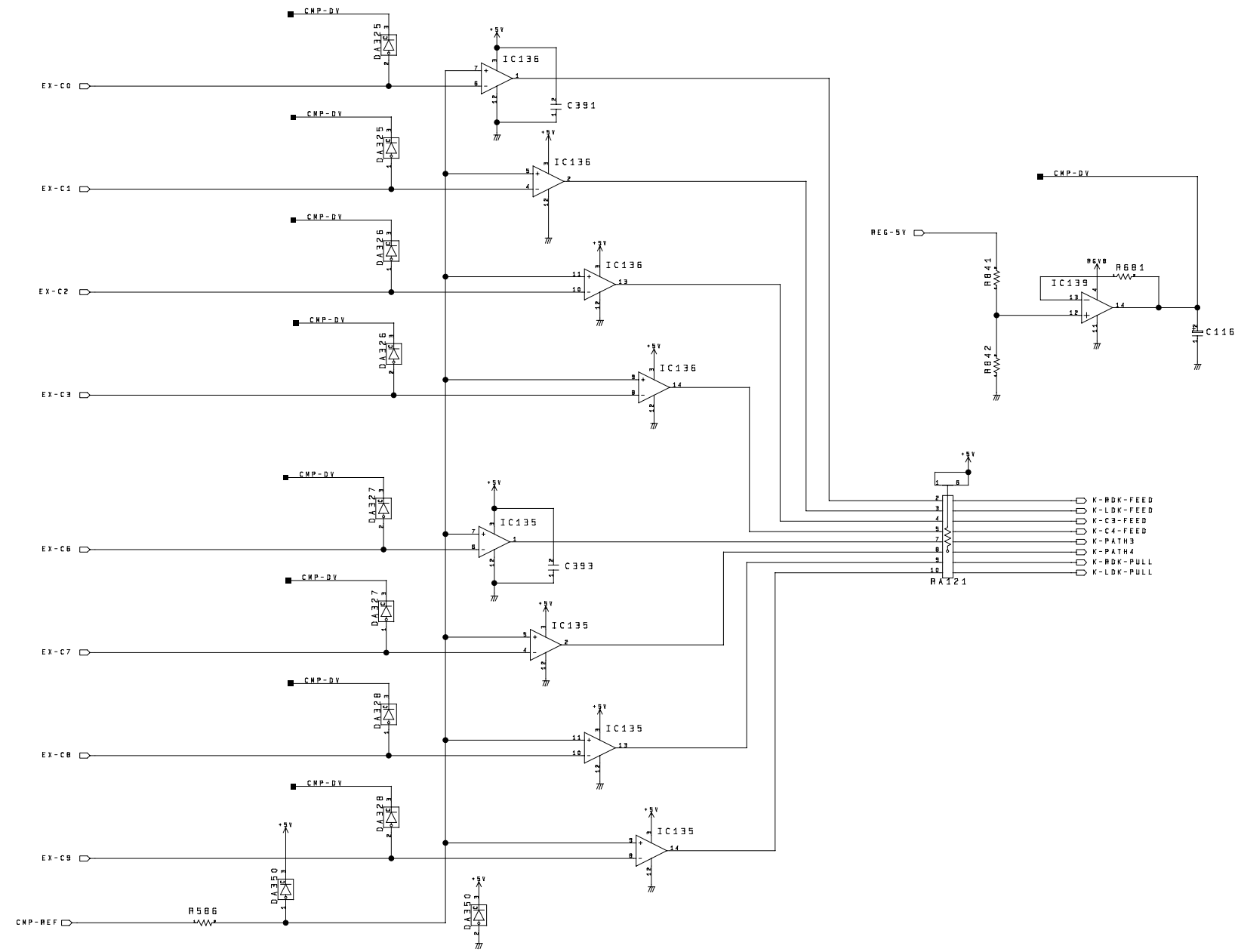


F-1-21

DC CONTROLLER PCB (22/26)  
 iR7105 / iR7095 / iR7086

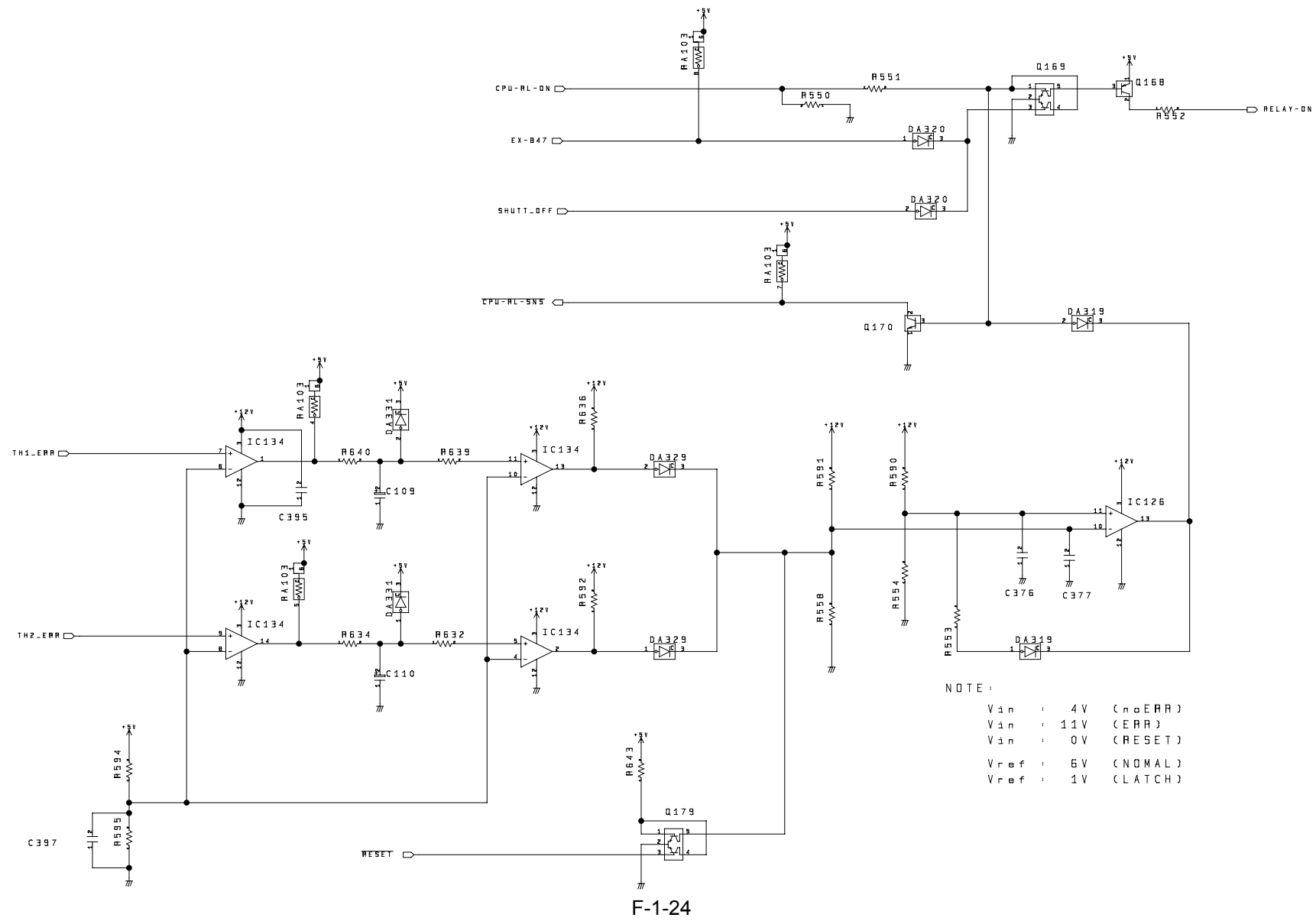


F-1-22



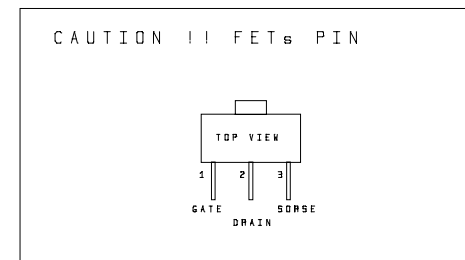
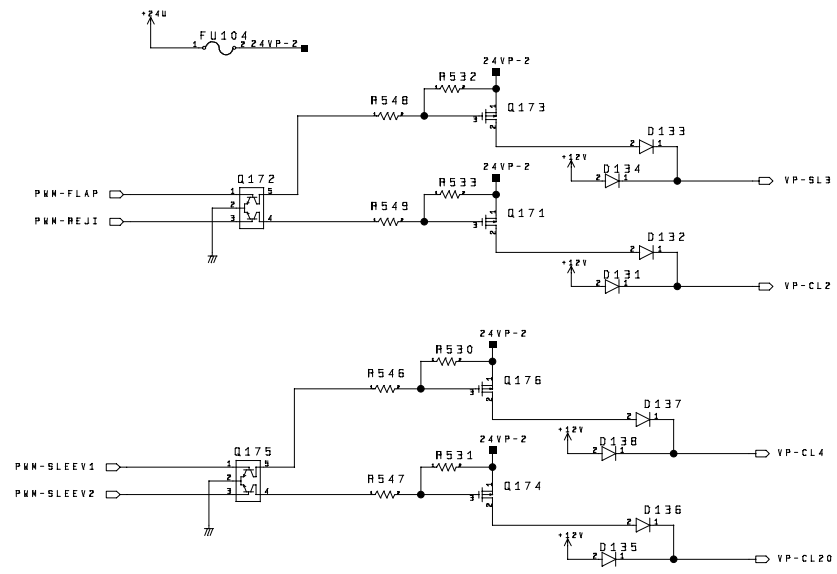
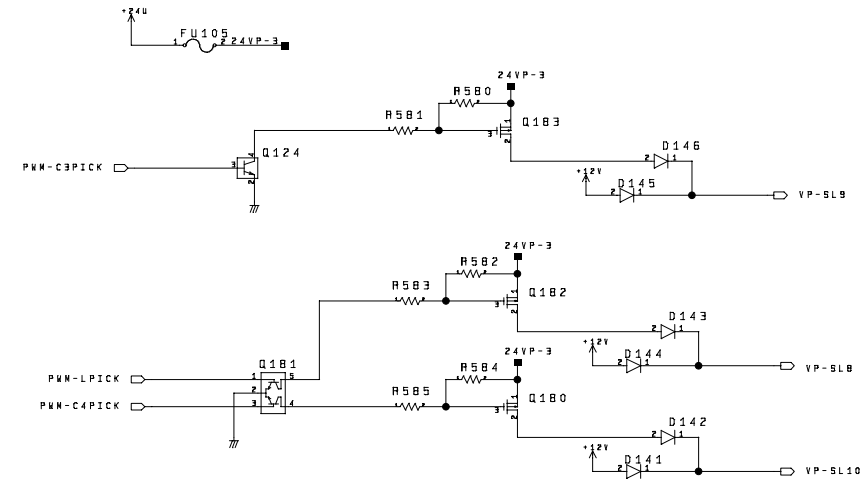
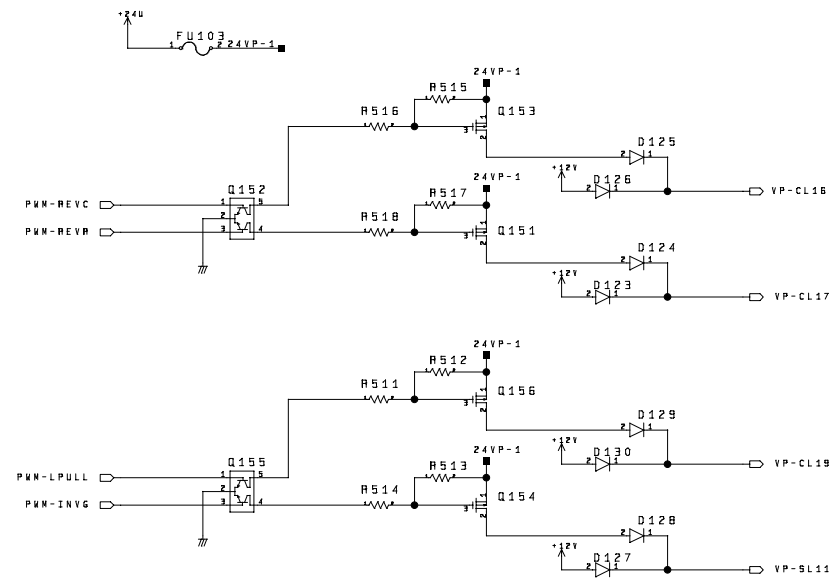
F-1-23

DC CONTROLLER PCB (24/26)  
 iR7105 / iR7095 / iR7086



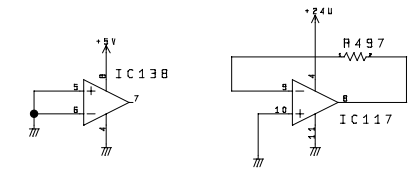
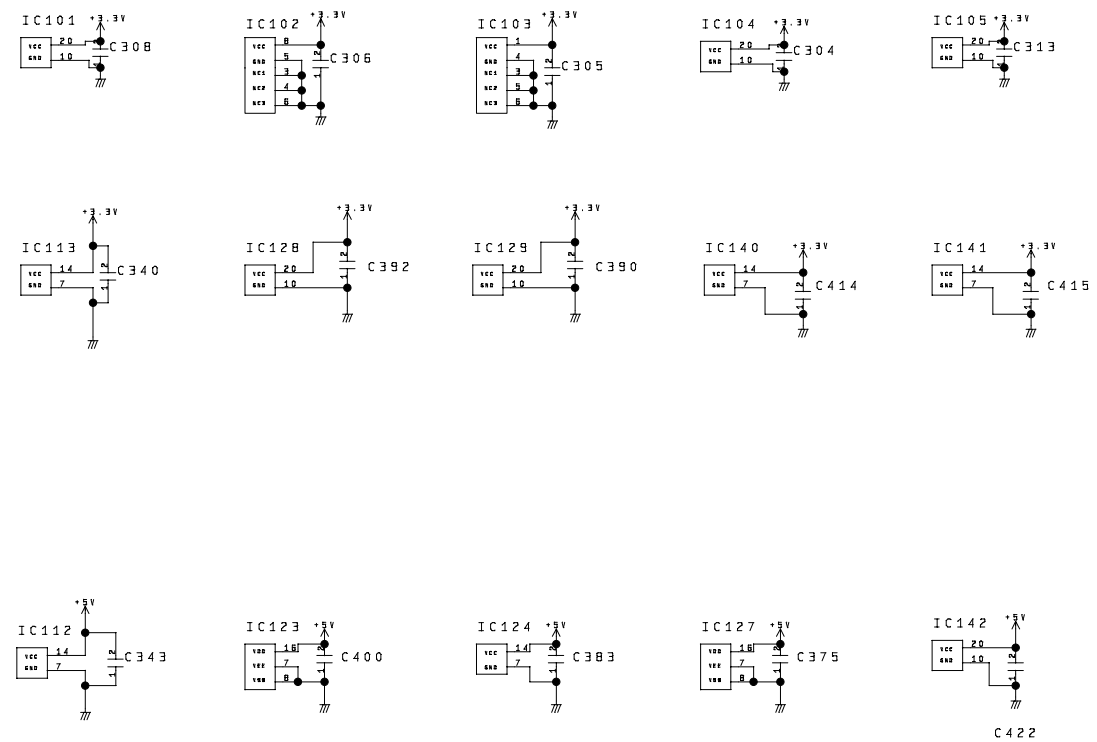
F-1-24

DC CONTROLLER PCB (25/26)  
 iR7105 / iR7095 / iR7086



F-1-25

DC CONTROLLER PCB (26/26)  
iR7105 / iR7095 / iR7086



F-1-26

Reader Controller PCB  
 READER CONTROLLER PCB (1/12)  
 iR7105 / iR7095 / iR7086



A 5 0 2 : CPU  
J 1 1 1 6

A 5 0 8 : CCDAP I / F [ VIDEO ]  
J 1 1 0 7

A 5 0 3 : ROM , RAM , RESET  
J 1 1 0 6

A 5 0 9 : CCDAP I / F , POWER I / F  
J 1 1 0 1 , J 1 1 0 2 , J 1 1 0 8

A 5 0 4 : IPC , ADF I / F , PC I / F  
J 1 1 1 0 B , J 1 1 1 3

A 5 1 0 : OPT - M I / F , FL I / F  
J 1 1 0 9 , J 1 1 1 0 A

A 5 0 5 : PIO , FAN , SIZE  
J 1 1 1 2 , J 1 1 1 4

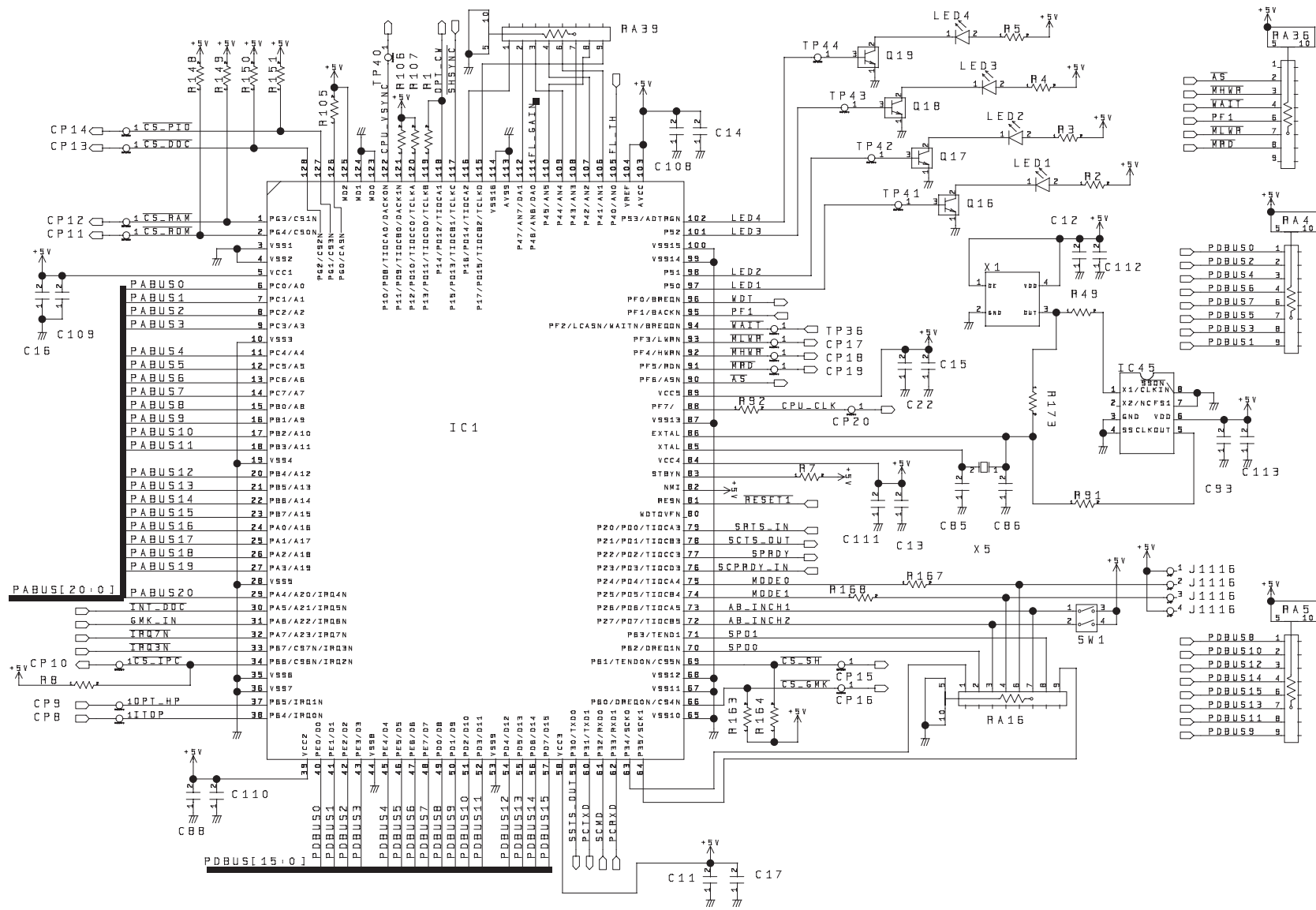
A 5 1 1 : DDI I / F  
J 1 1 0 4

A 5 0 6 : KIRENGE

A 5 1 2 : DOC I / F  
J 1 1 0 3

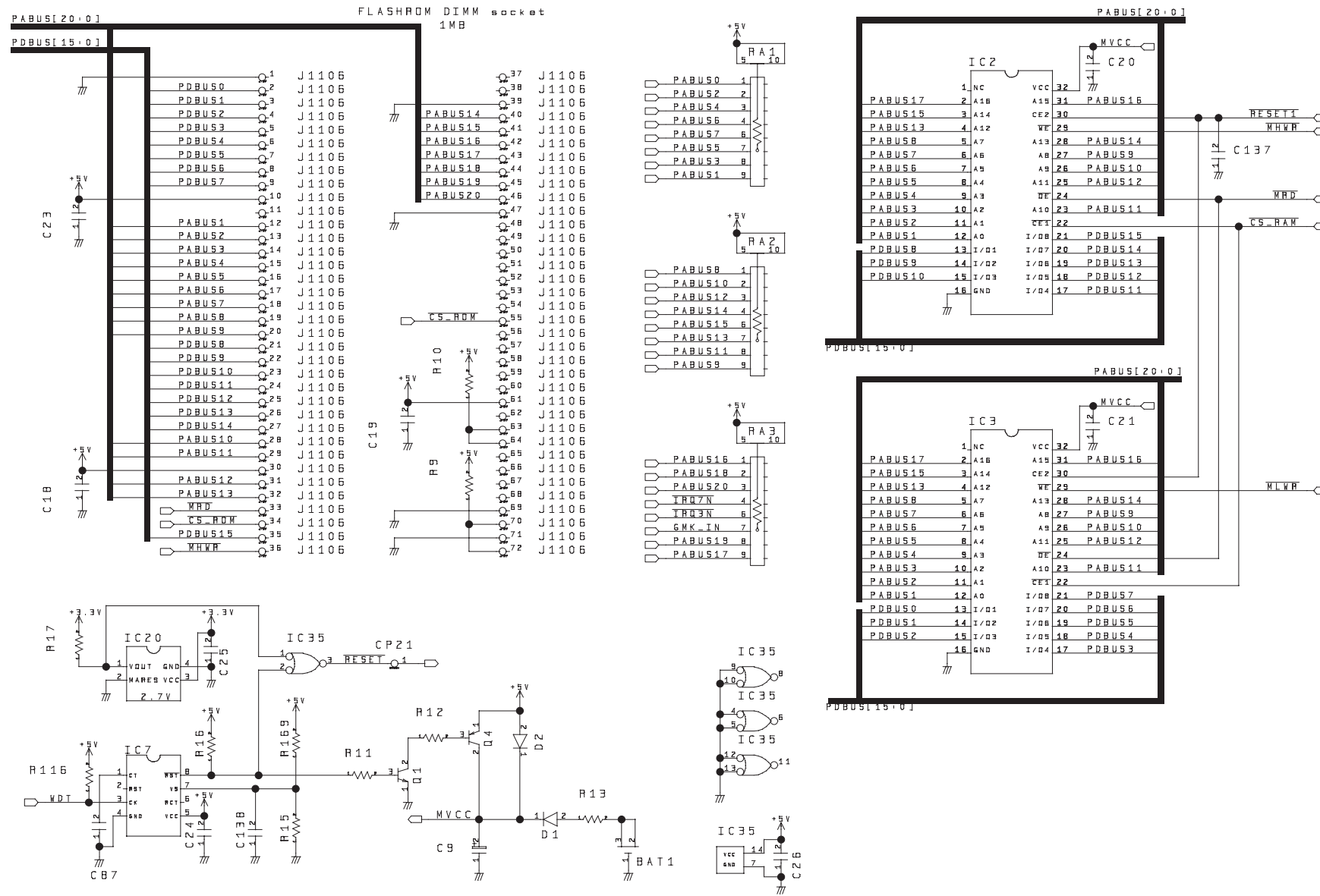
A 5 0 7 : SHOUMA

F-1-27



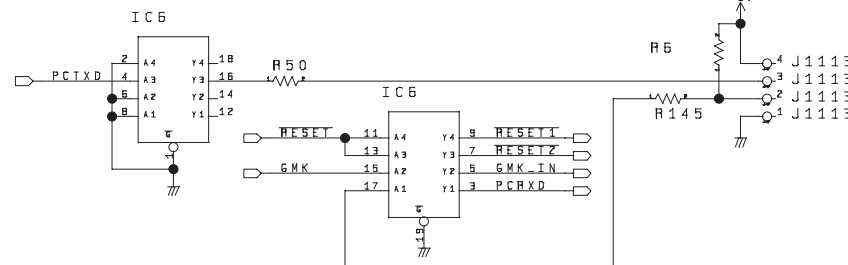
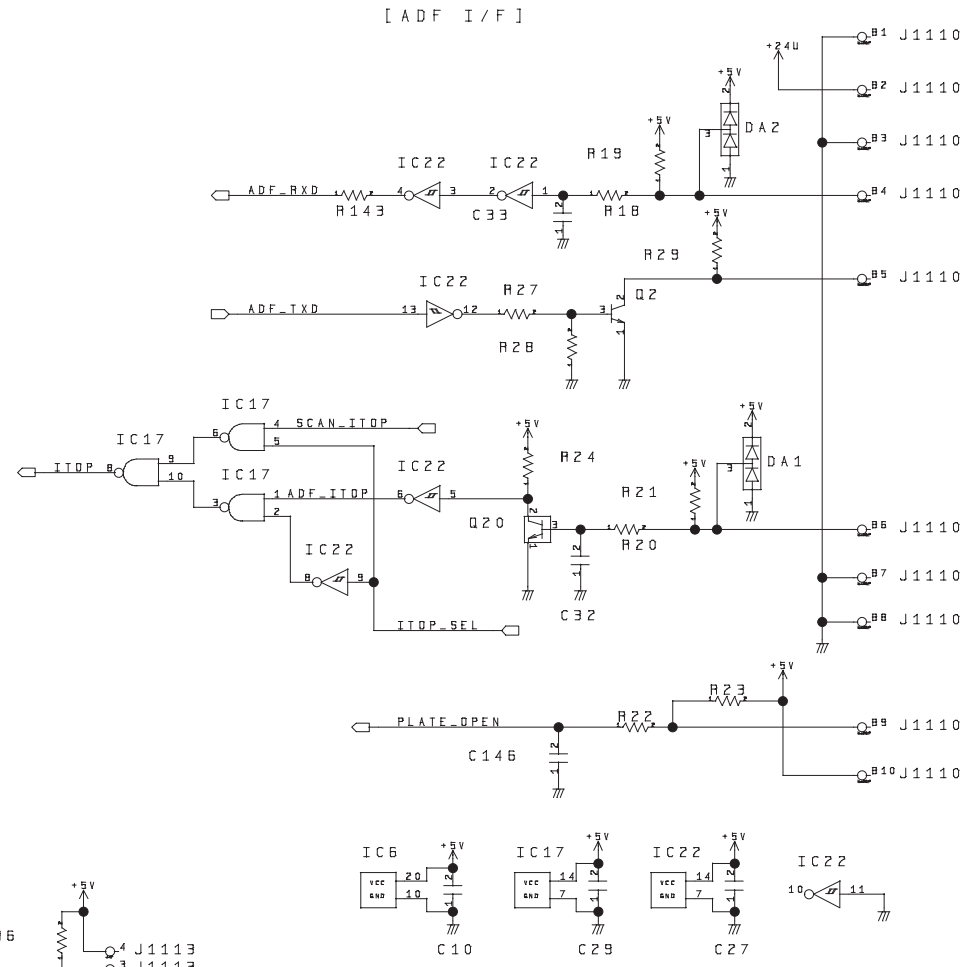
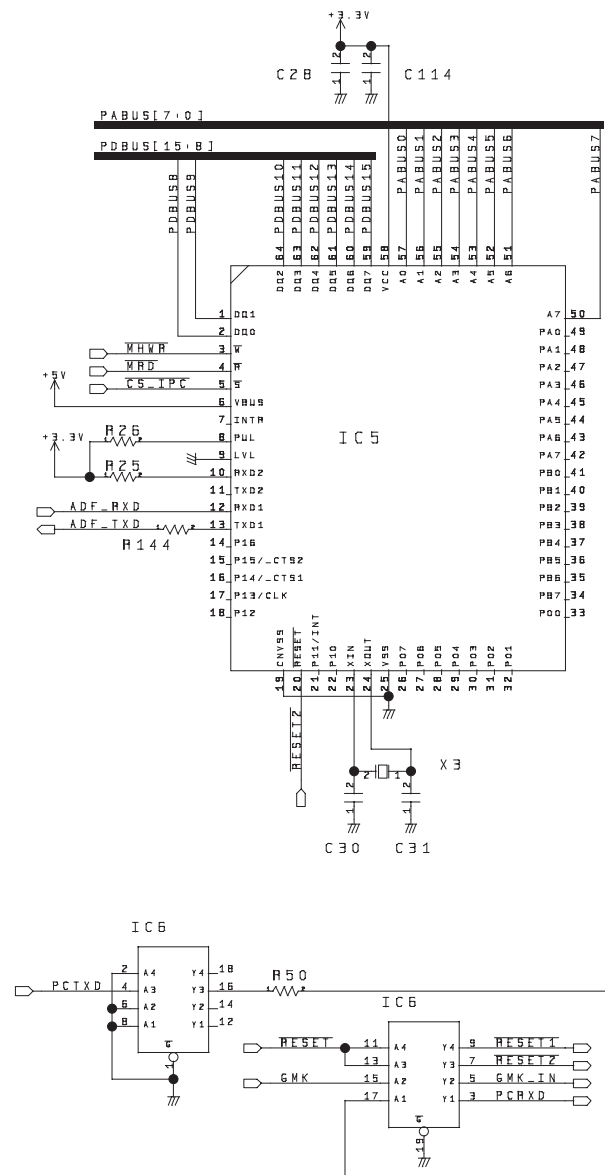
F-1-28

READER CONTROLLER PCB (3/12)  
iR7105 / iR7095 / iR7086



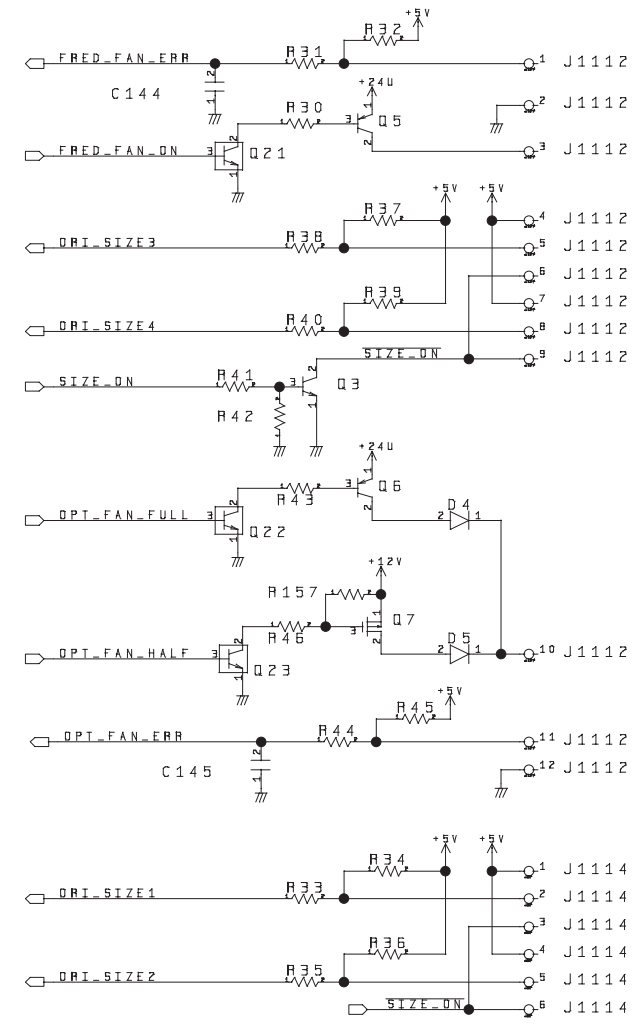
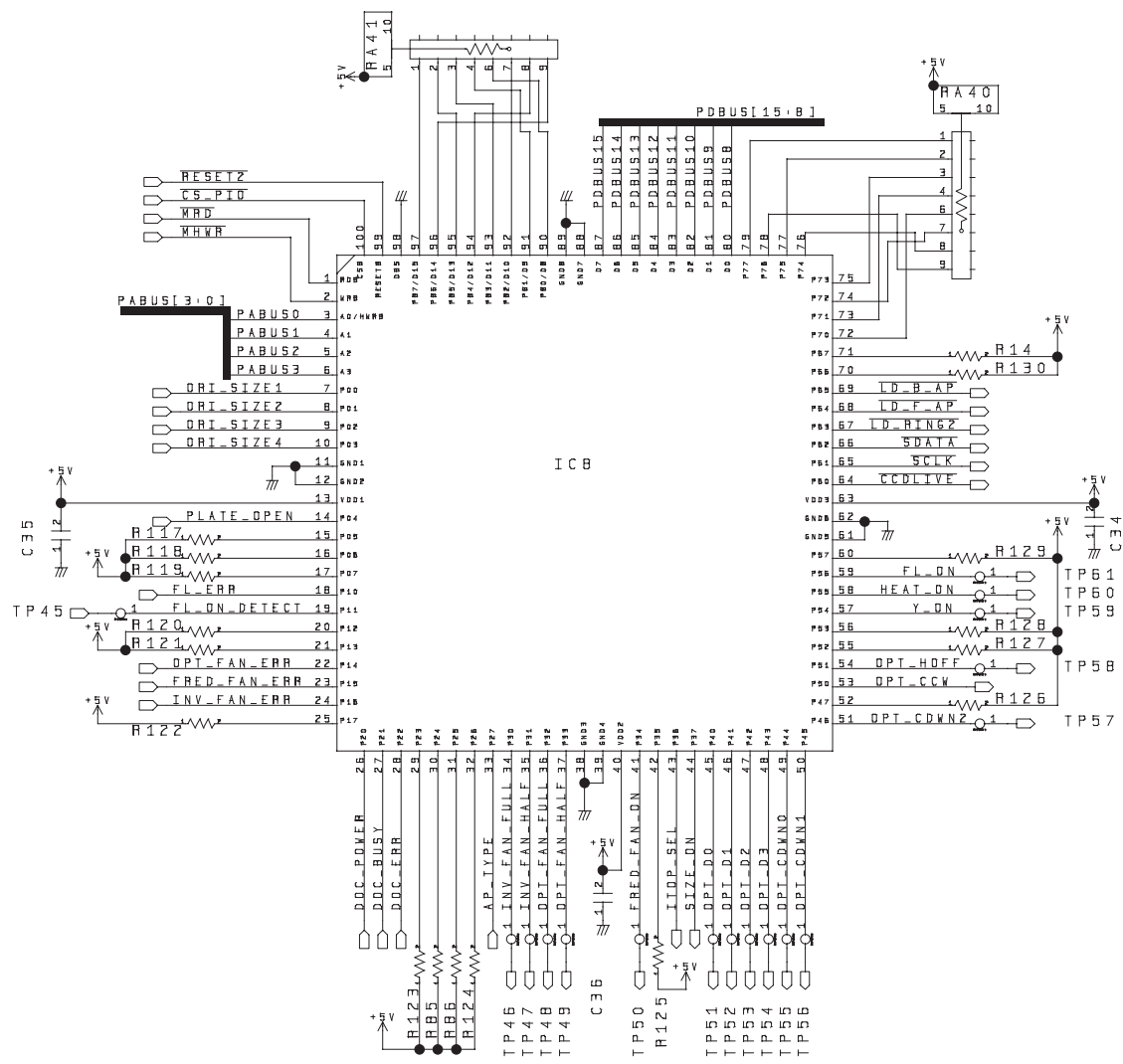
F-1-29

READER CONTROLLER PCB (4/12)  
iR7105 / iR7095 / iR7086



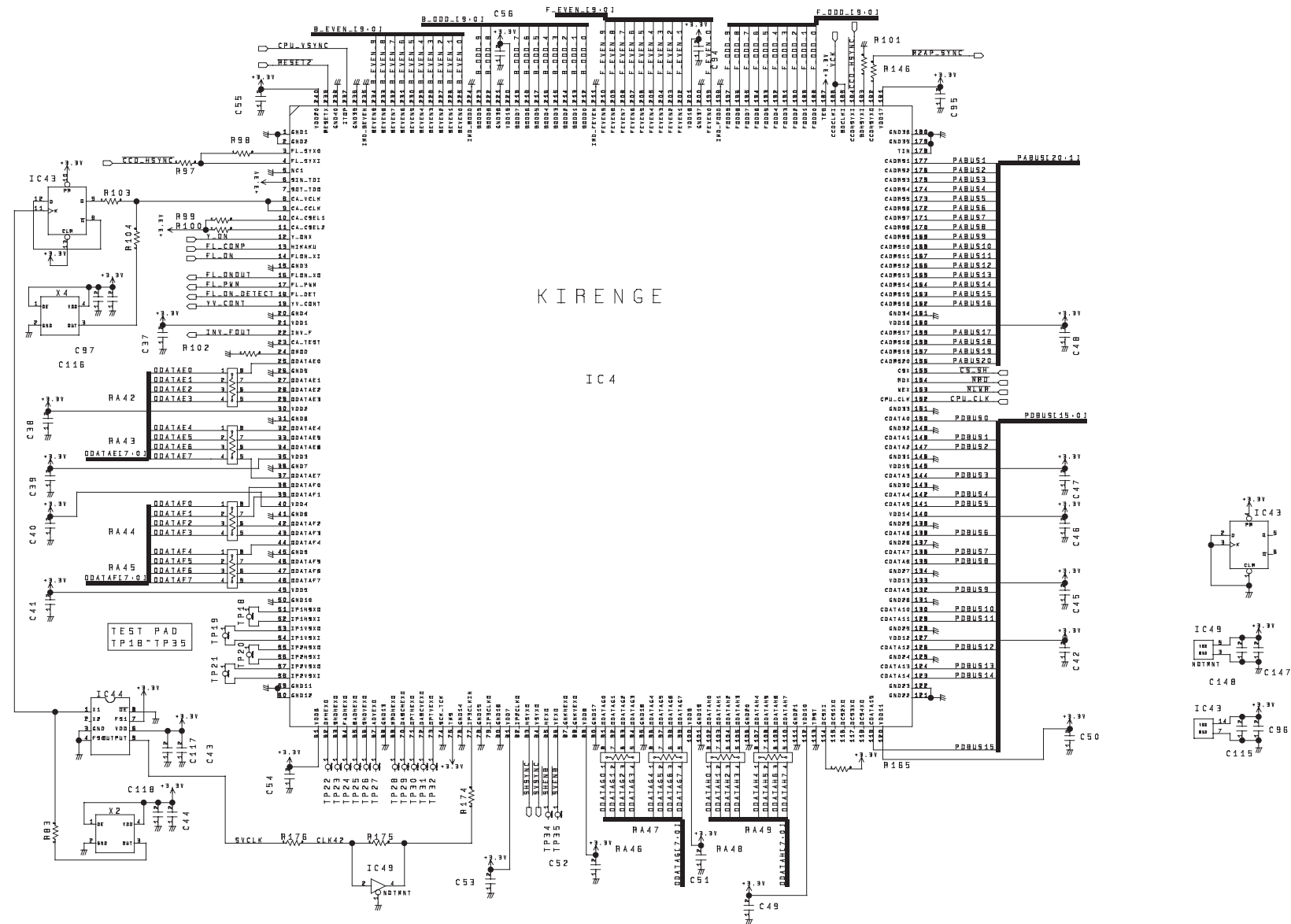
F-1-30

READER CONTROLLER PCB (5/12)  
iR7105 / iR7095 / iR7086

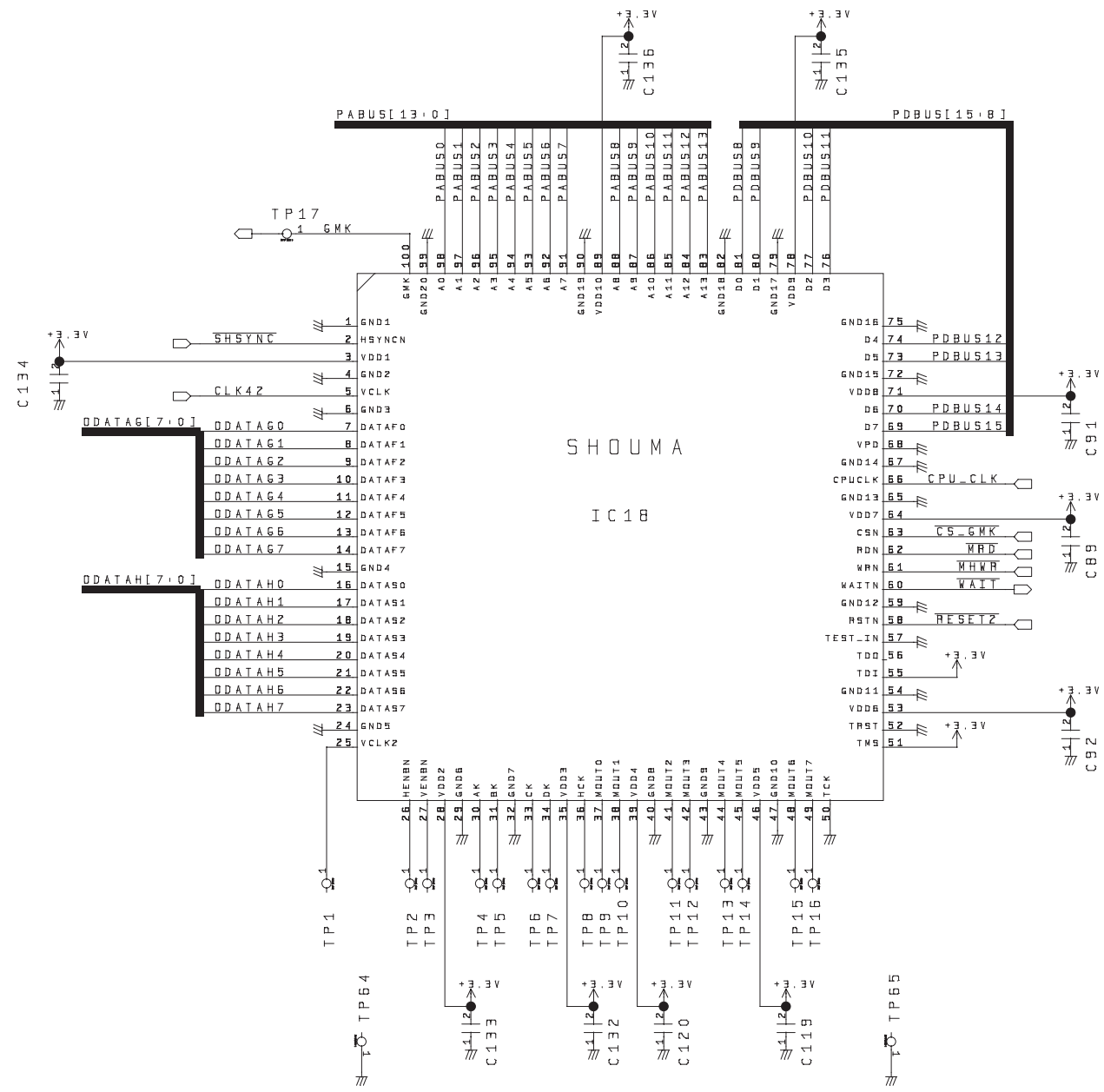


F-1-31

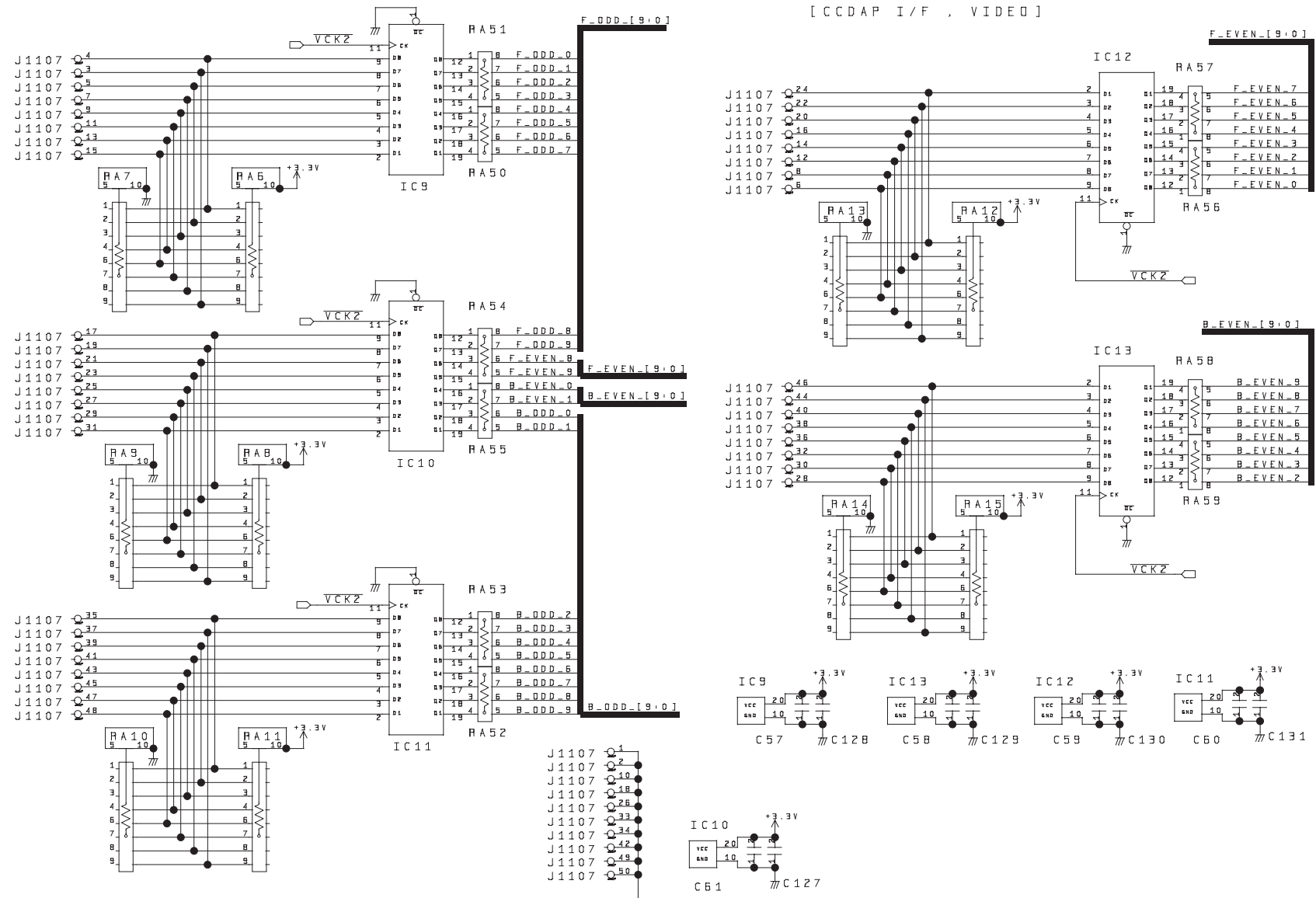
READER CONTROLLER PCB (6/12)  
iR7105 / iR7095 / iR7086



READER CONTROLLER PCB (7/12)  
iR7105 / iR7095 / iR7086



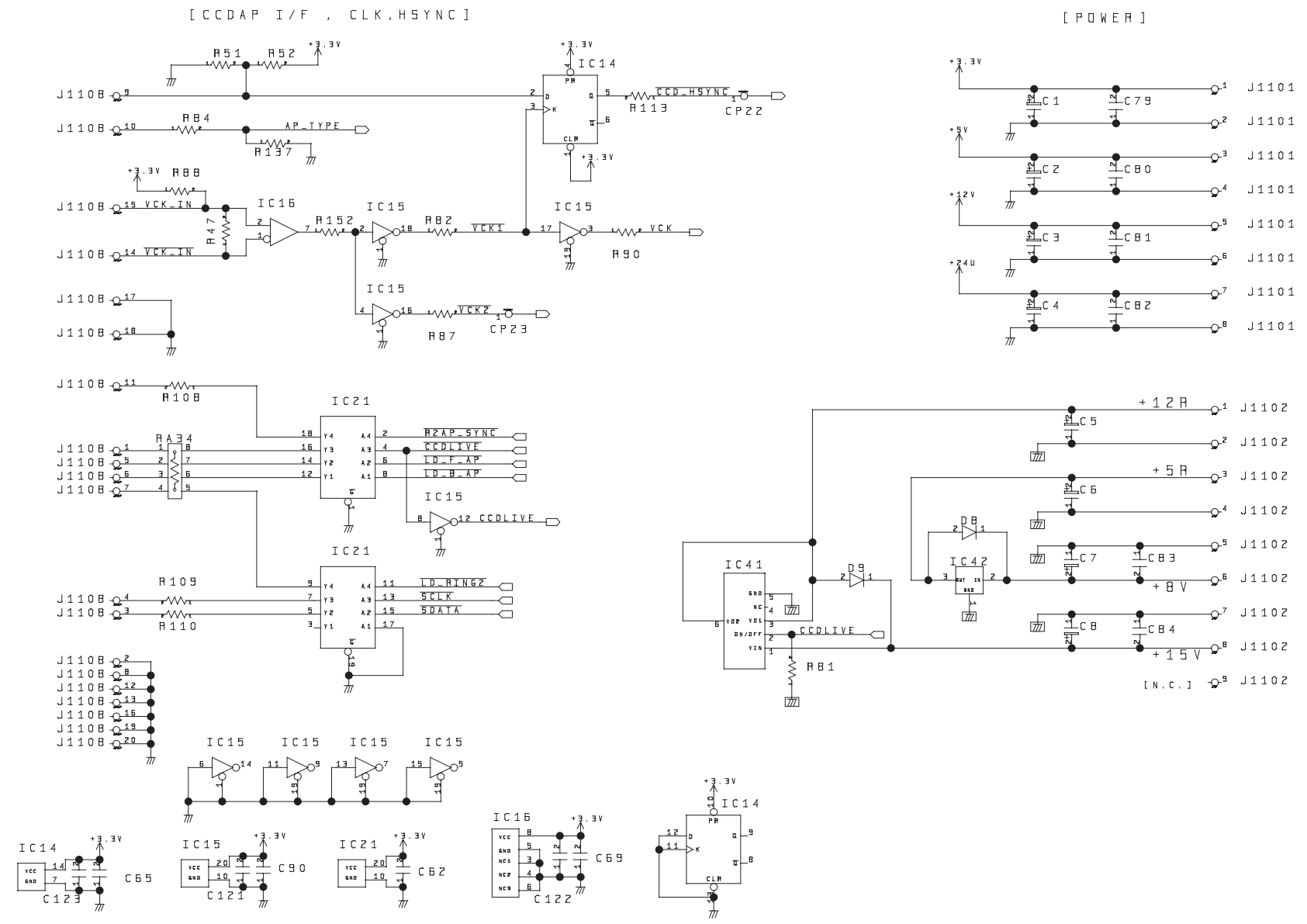
READER CONTROLLER PCB (8/12)  
iR7105 / iR7095 / iR7086



F-1-34

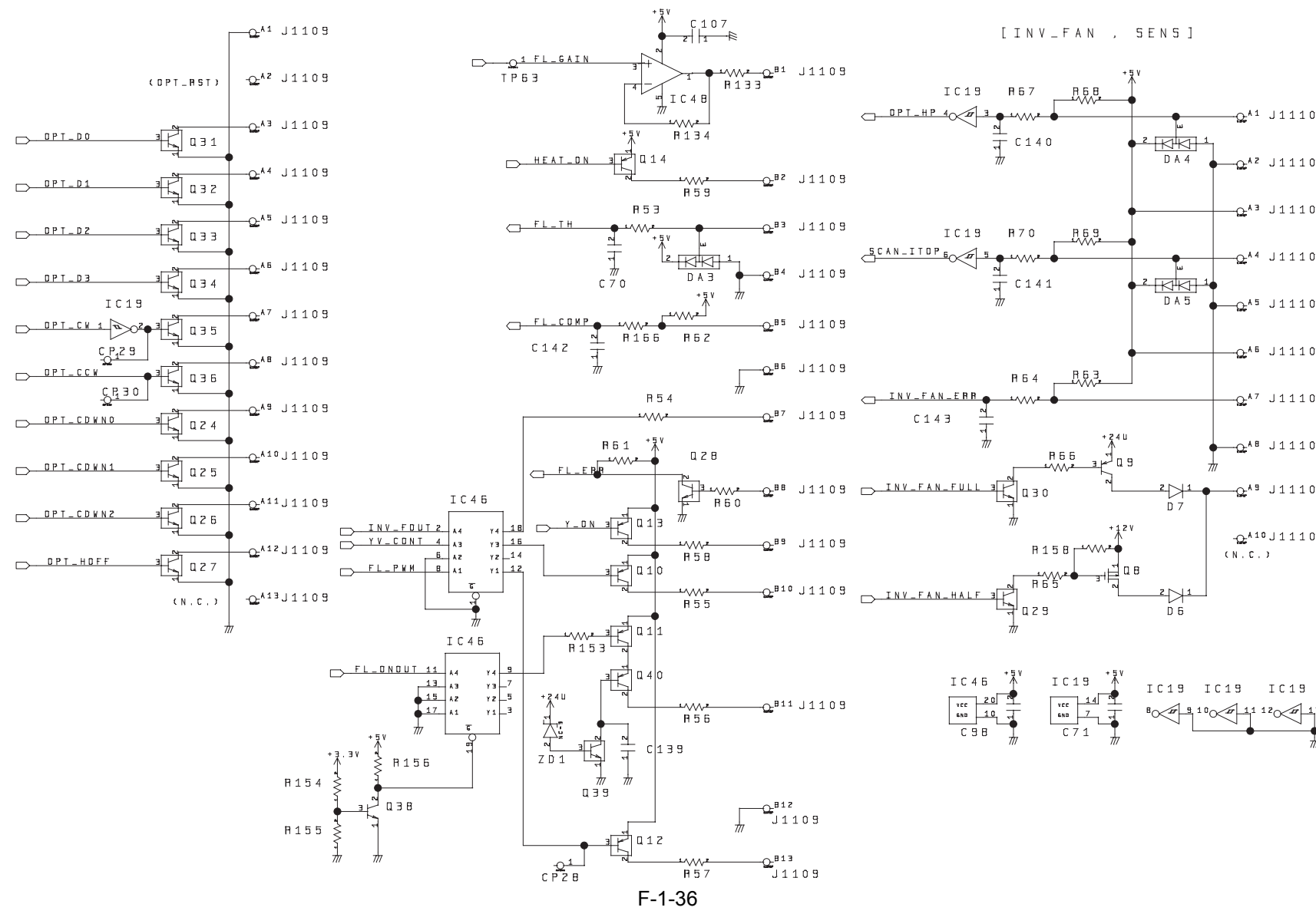
READER CONTROLLER PCB (9/12)  
iR7105 / iR7095 / iR7086





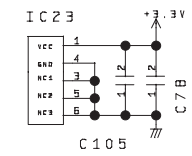
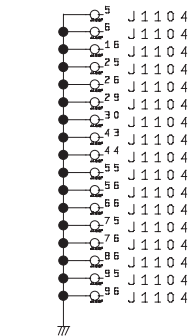
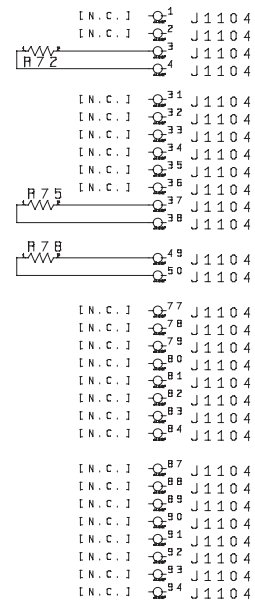
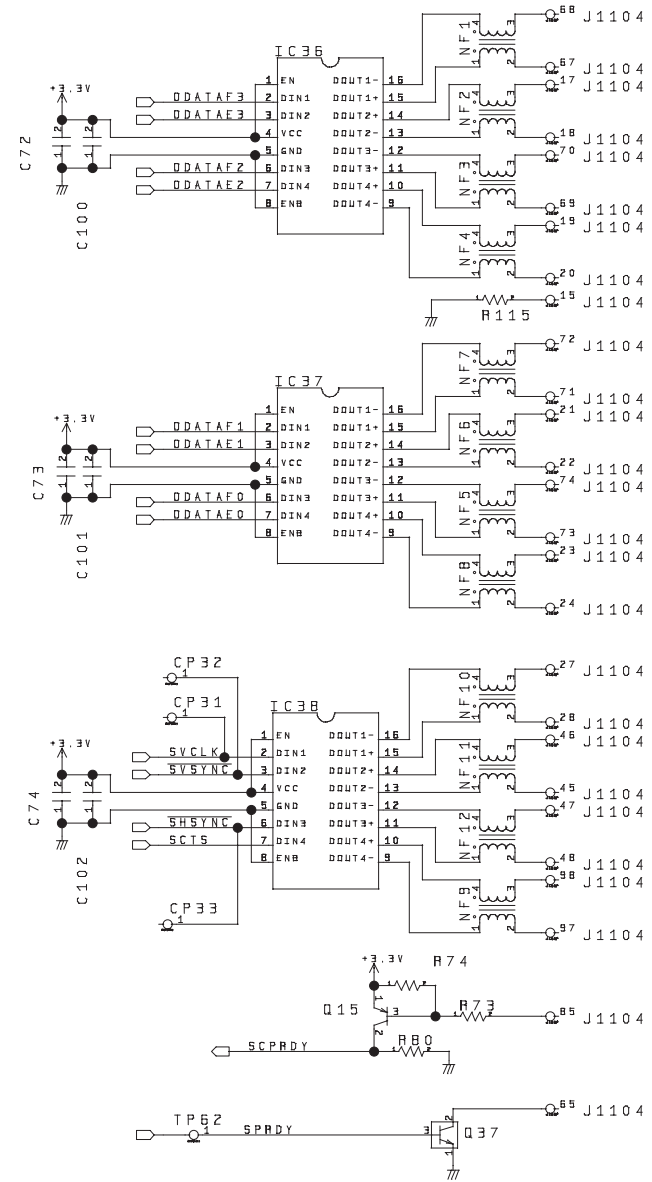
F-1-35

READER CONTROLLER PCB (10/12)  
iR7105 / iR7095 / iR7086

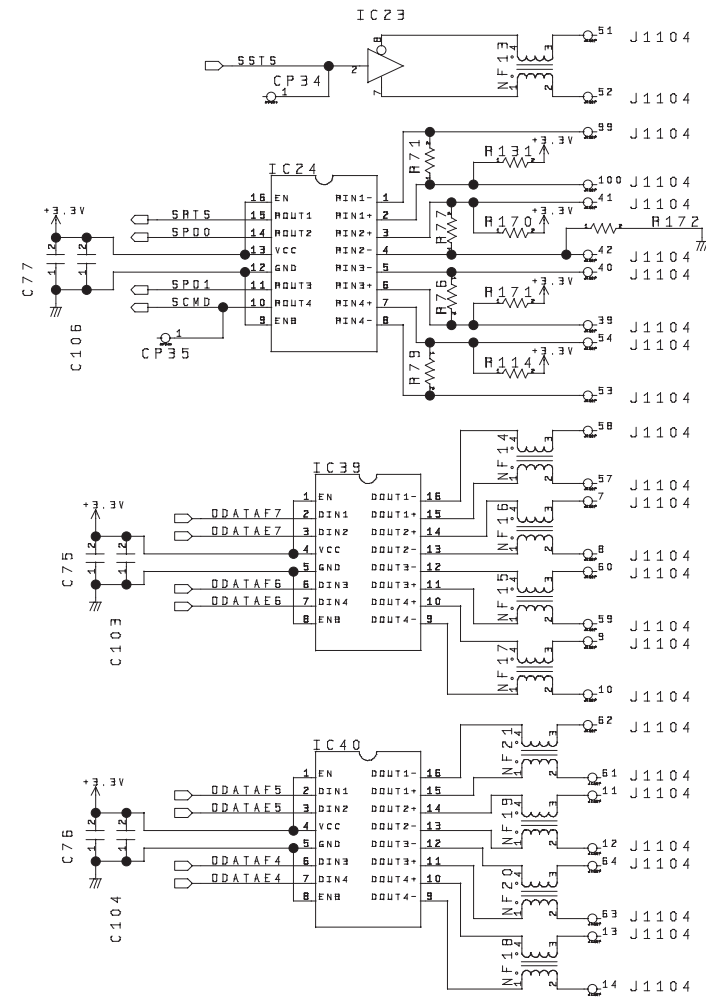


F-1-36

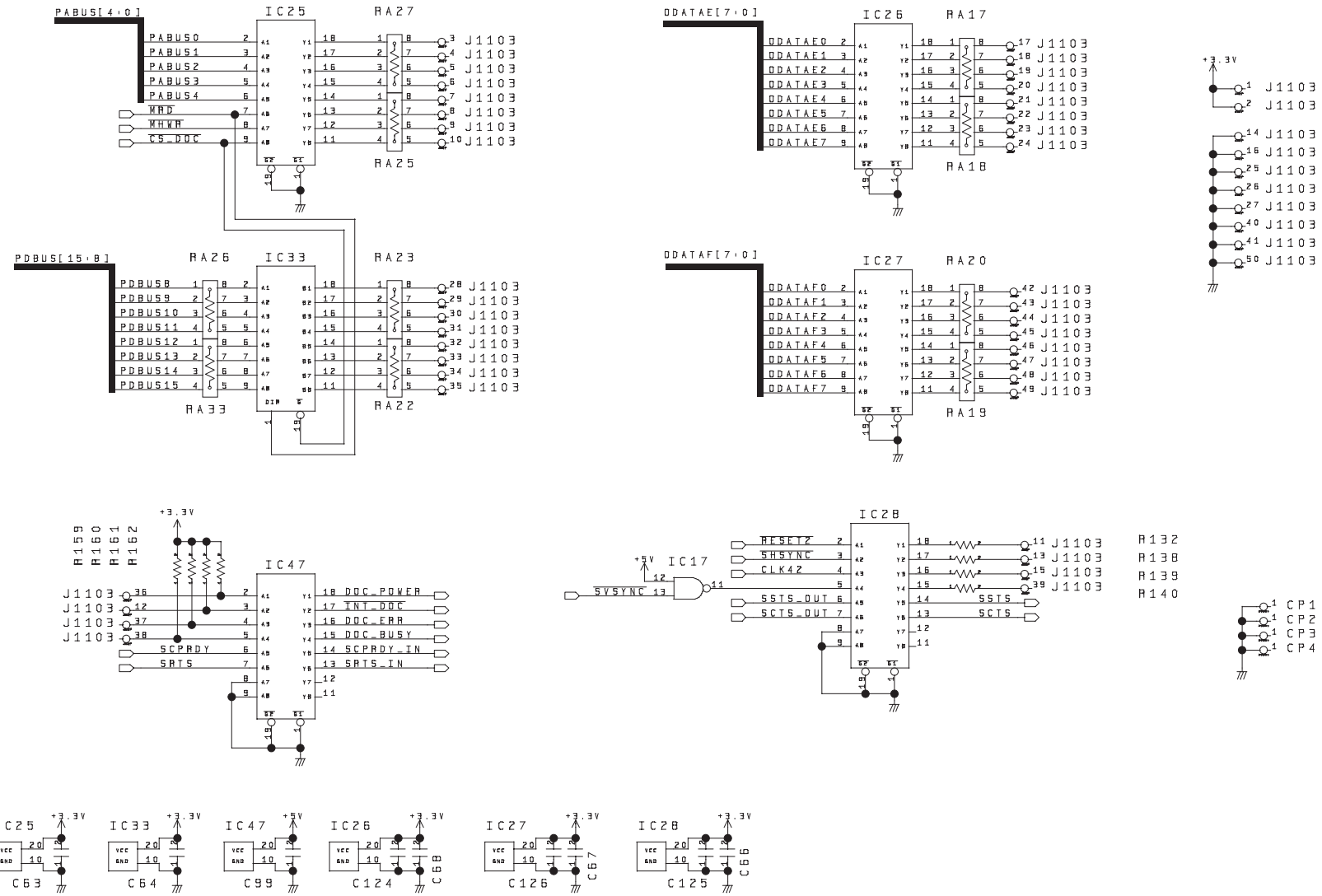
READER CONTROLLER PCB (11/12)  
iR7105 / iR7095 / iR7086



F-1-37

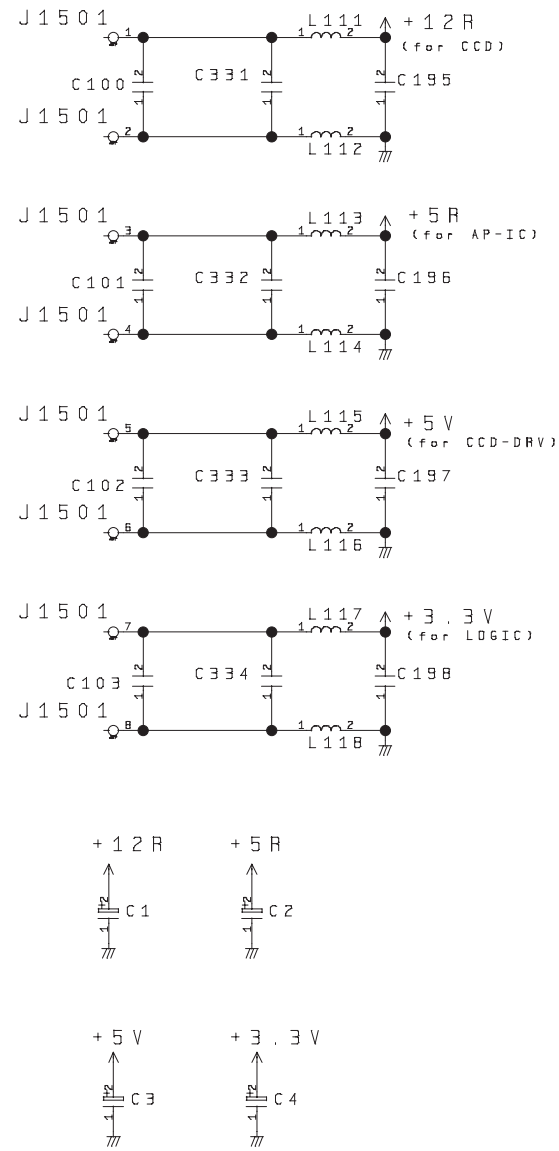


READER CONTROLLER PCB (12/12)  
iR7105 / iR7095 / iR7086

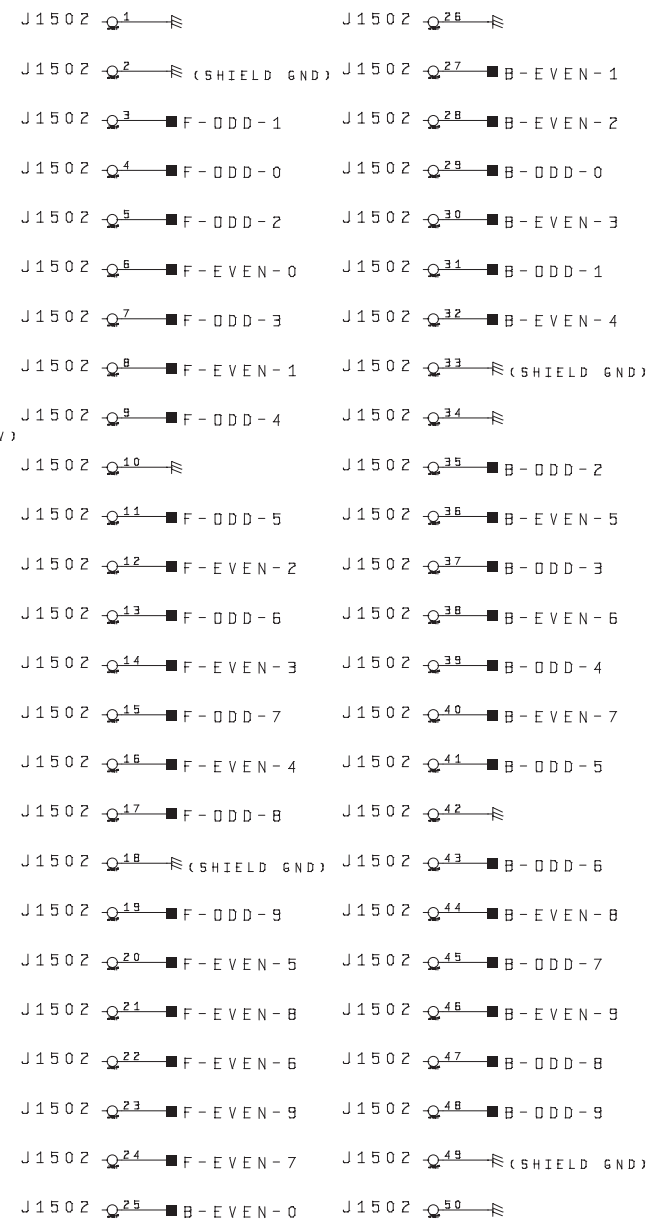


F-1-38

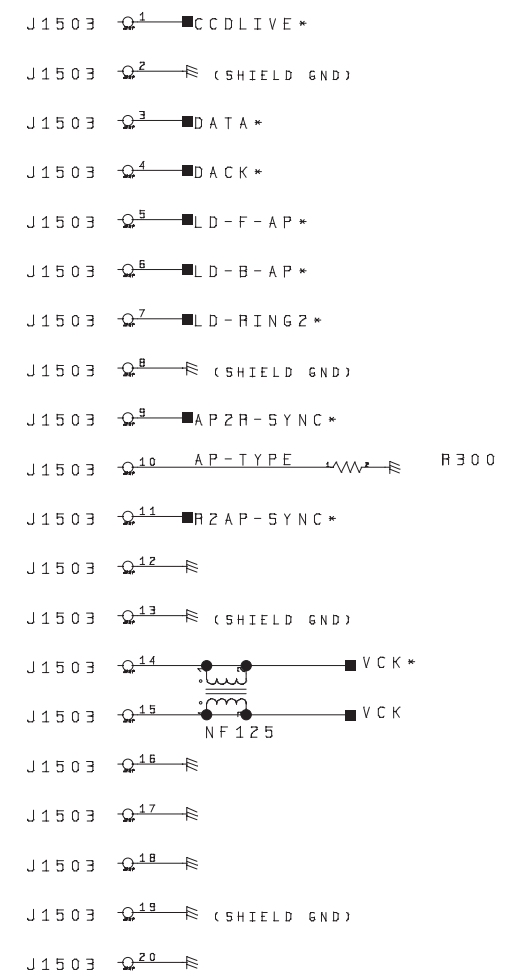
[ POWER-IN ]



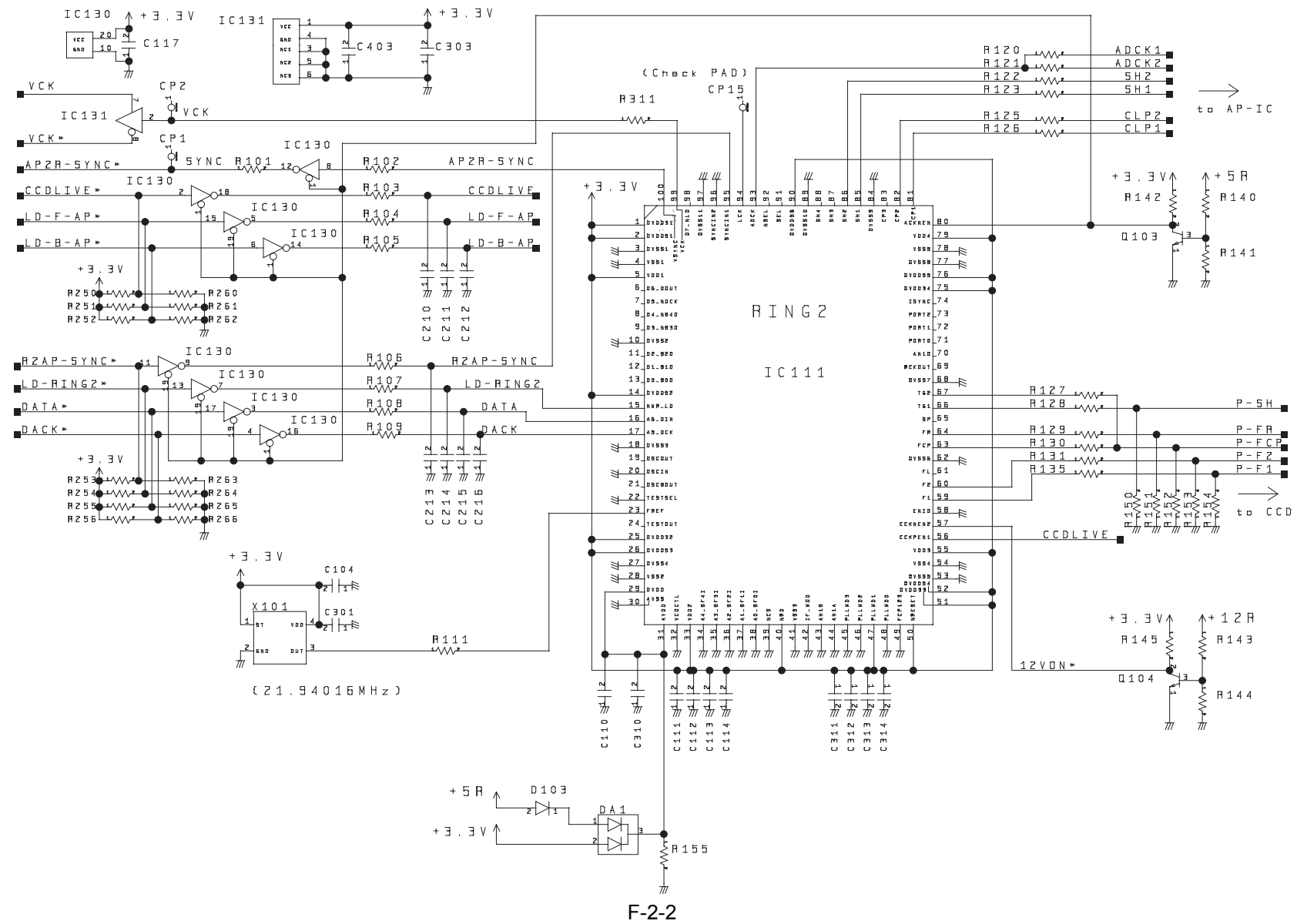
[ VIDEO-OUT ]



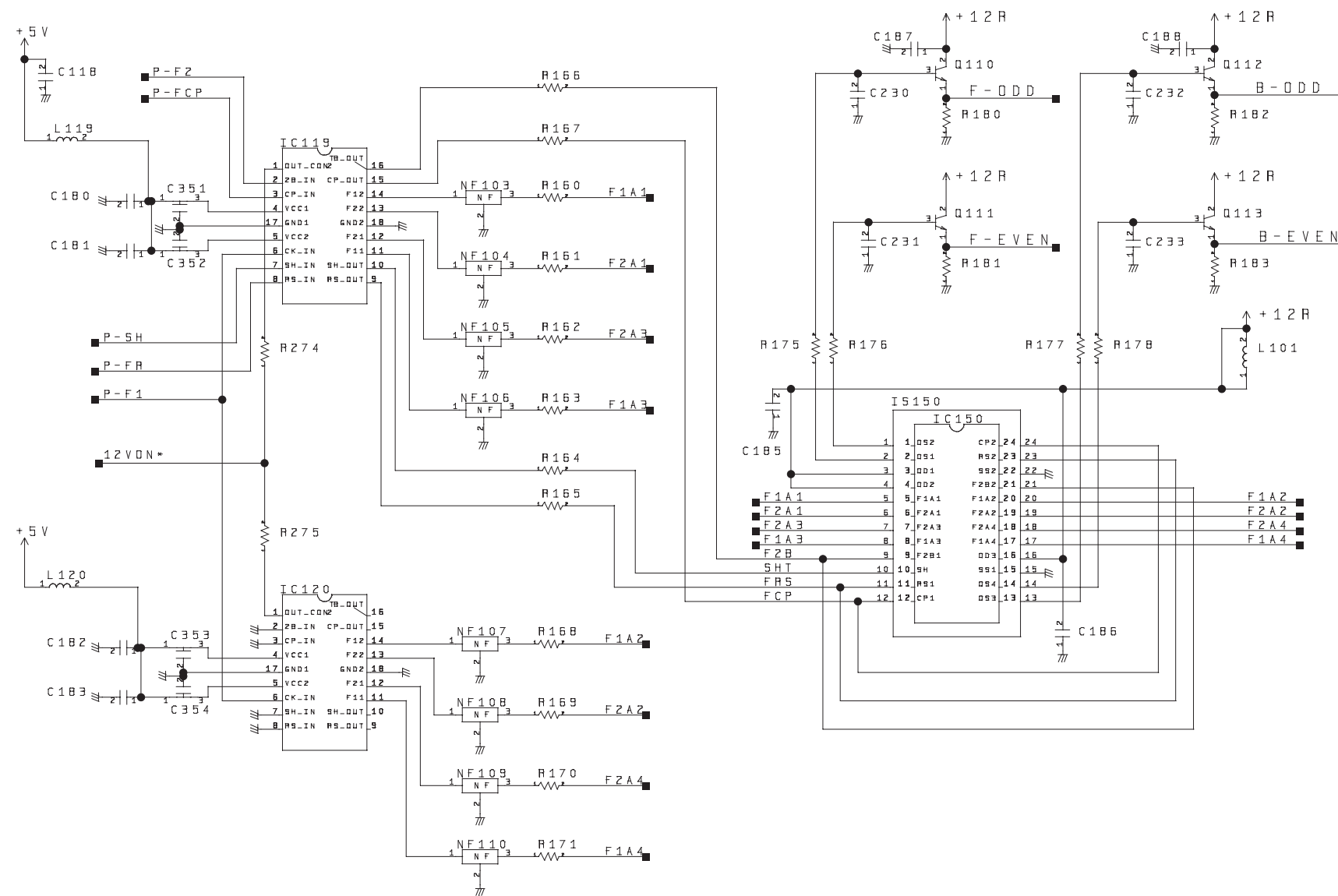
[ AP-CNT , SYNC , CLK ]



F-2-1

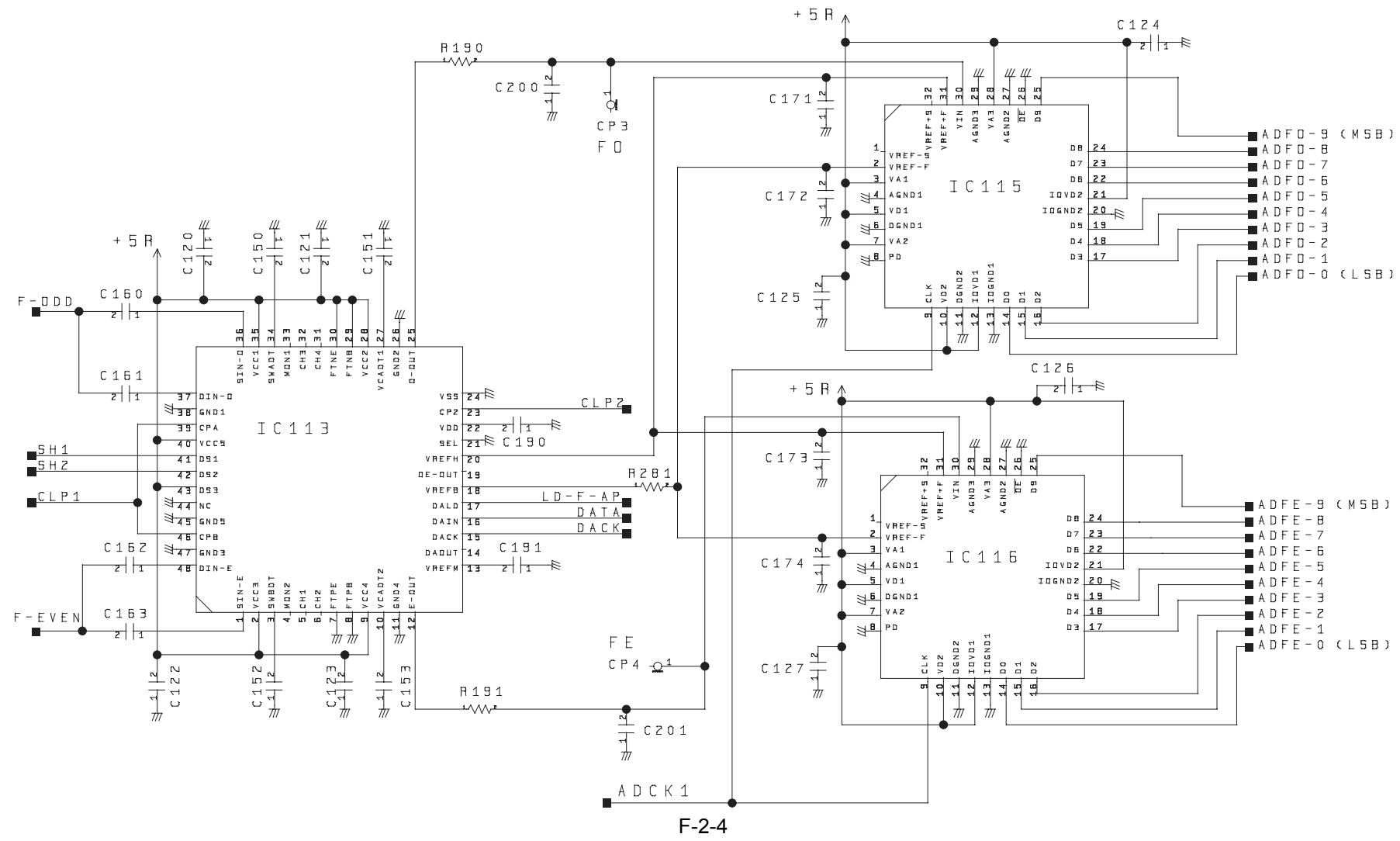


CCD/AP PCB (3/6)  
iR7105 / iR7095 / iR7086



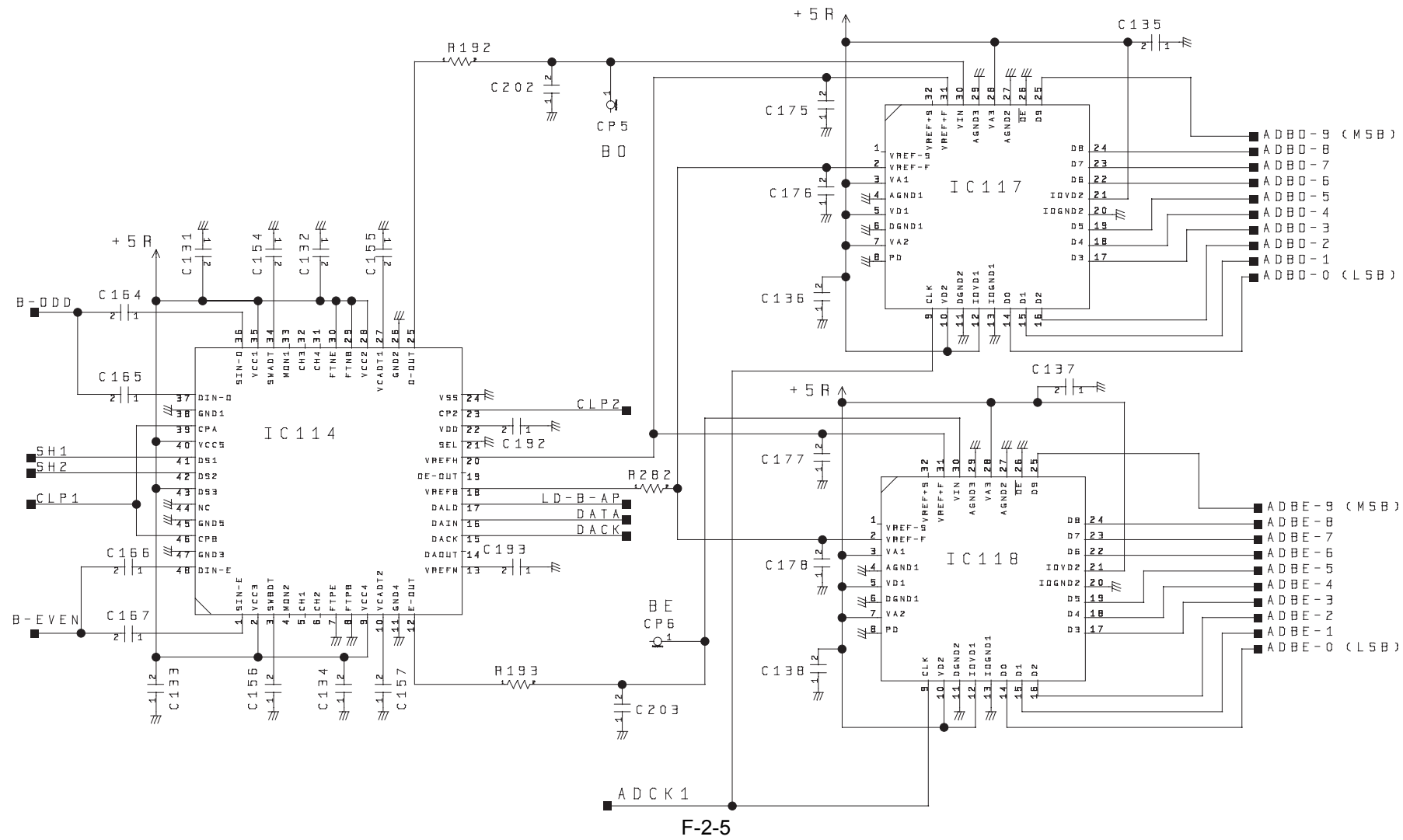
F-2-3

CCD/AP PCB (4/6)  
iR7105 / iR7095 / iR7086



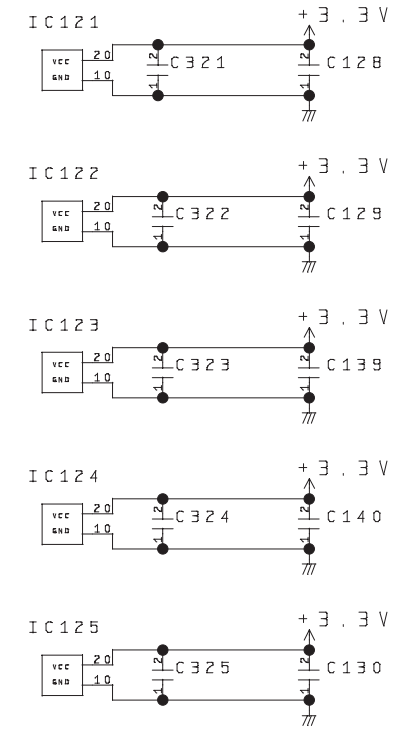
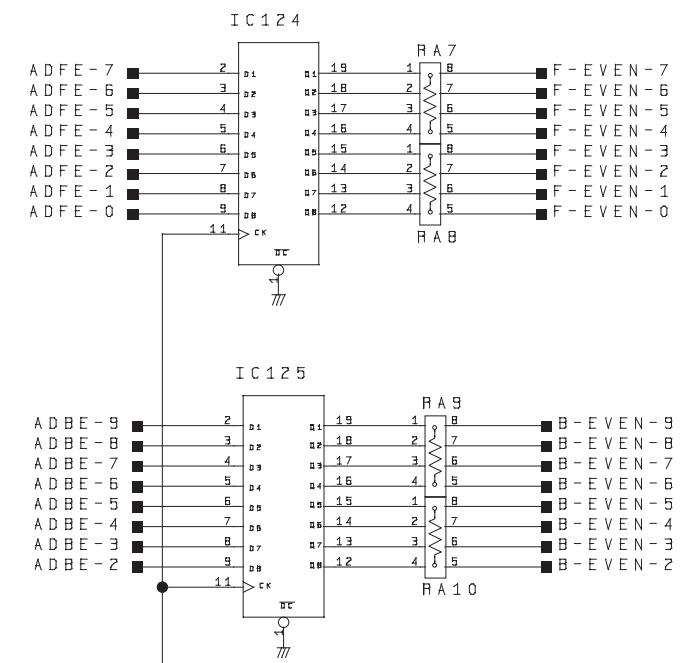
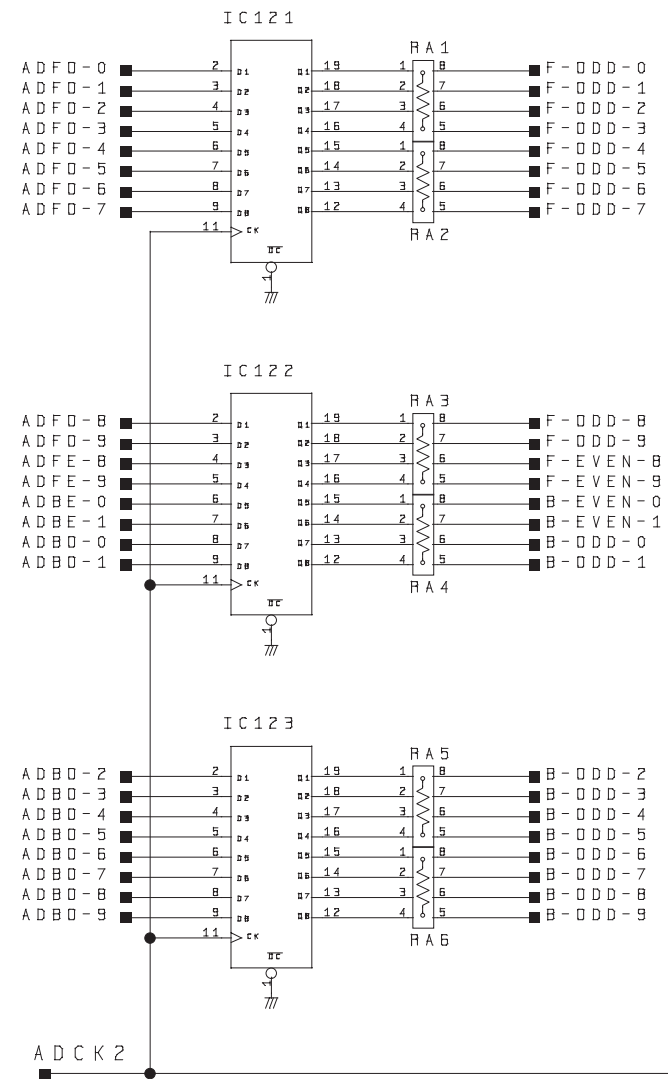
CCD/AP PCB (5/6)  
iR7105 / iR7095 / iR7086





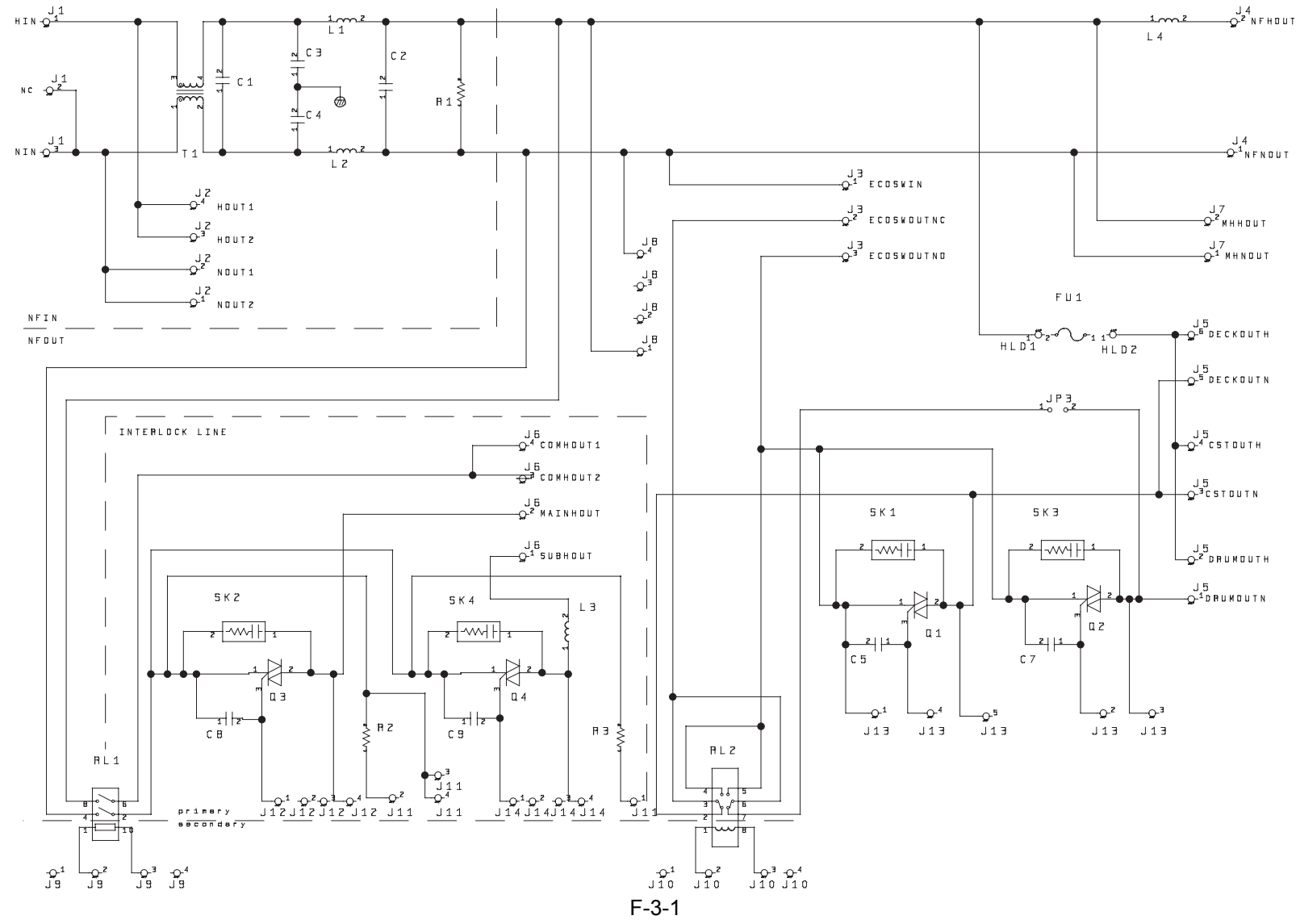
F-2-5

CCD/AP PCB (6/6)  
iR7105 / iR7095 / iR7086

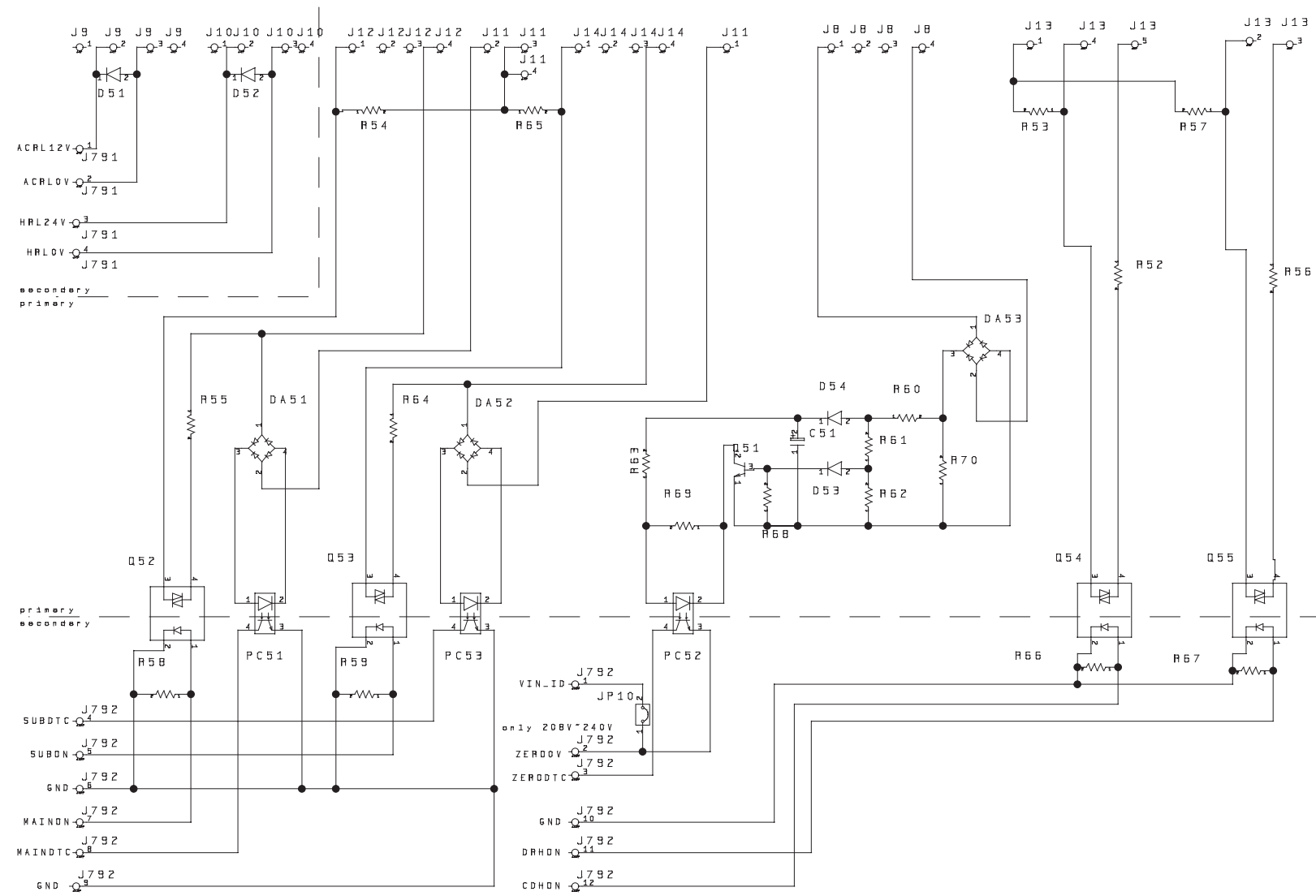


F-2-6

3 Printer unit  
 AC Driver PCB  
 AC DRIVER PCB (1/1)  
 iR7105 / iR7095 / iR7086

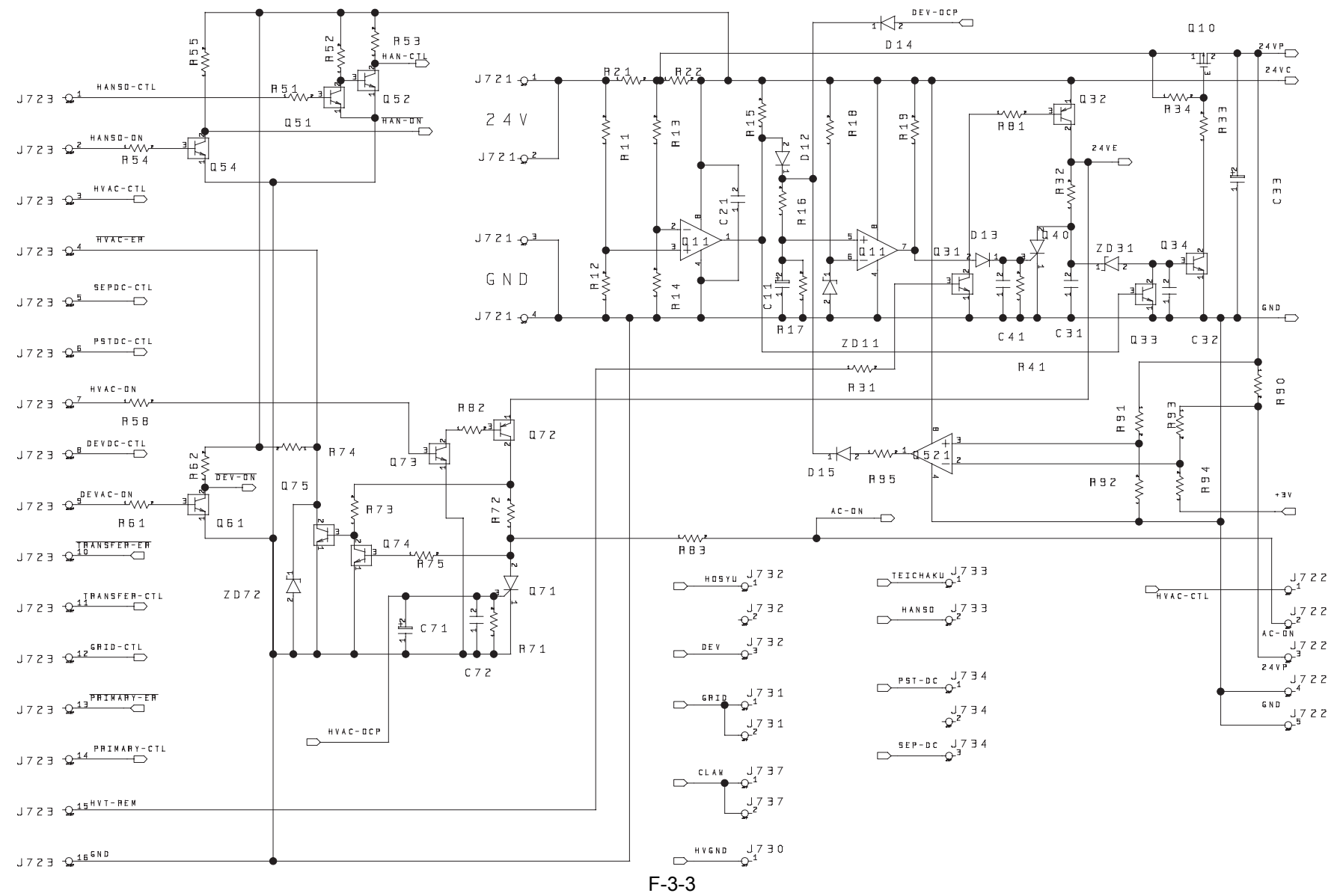


AC DRIVER SUB PCB (1/1)  
 iR7105 / iR7095 / iR7086

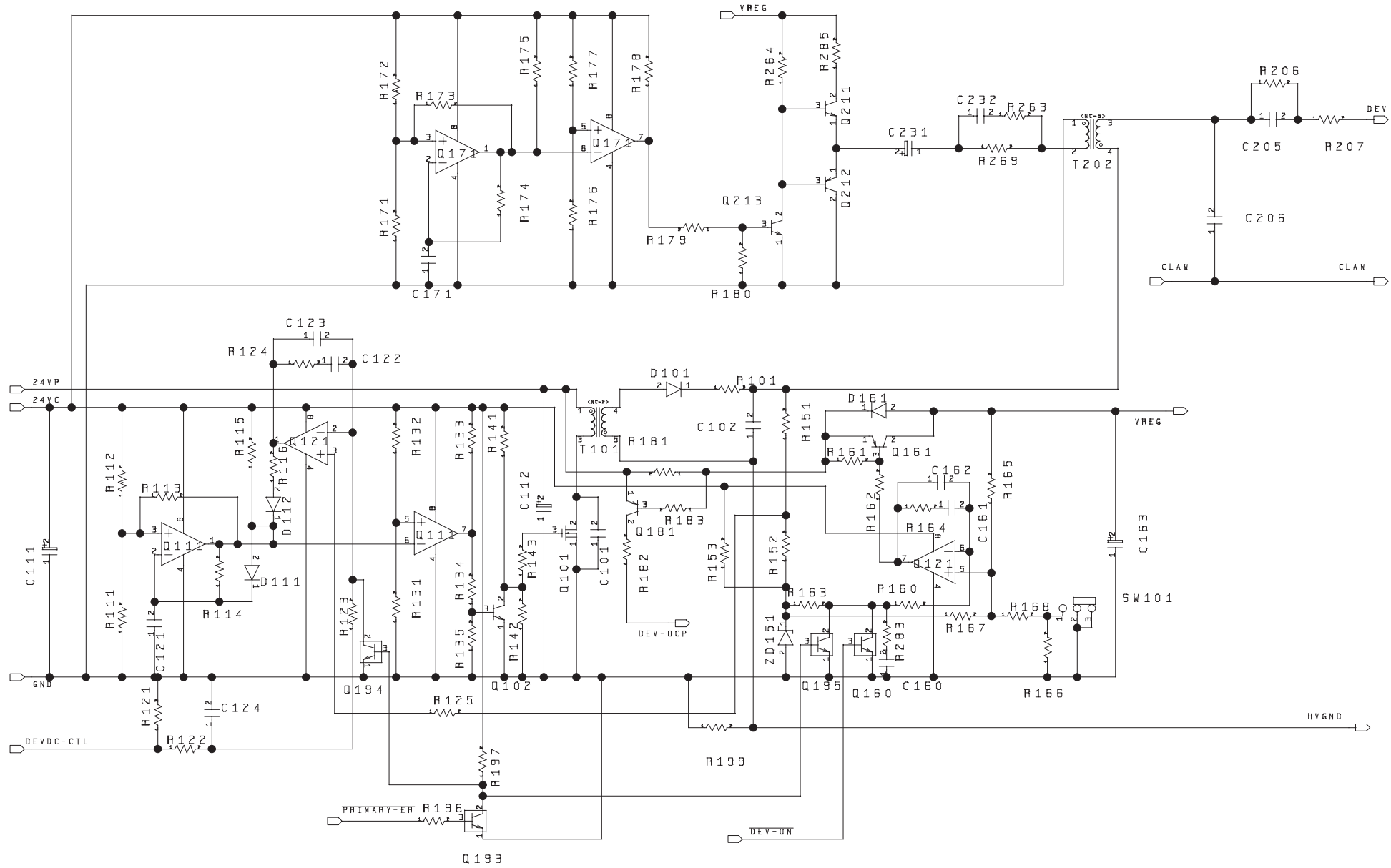


F-3-2

HVT PCB  
 HV-DC PCB (1/6)  
 iR7105 / iR7095 / iR7086

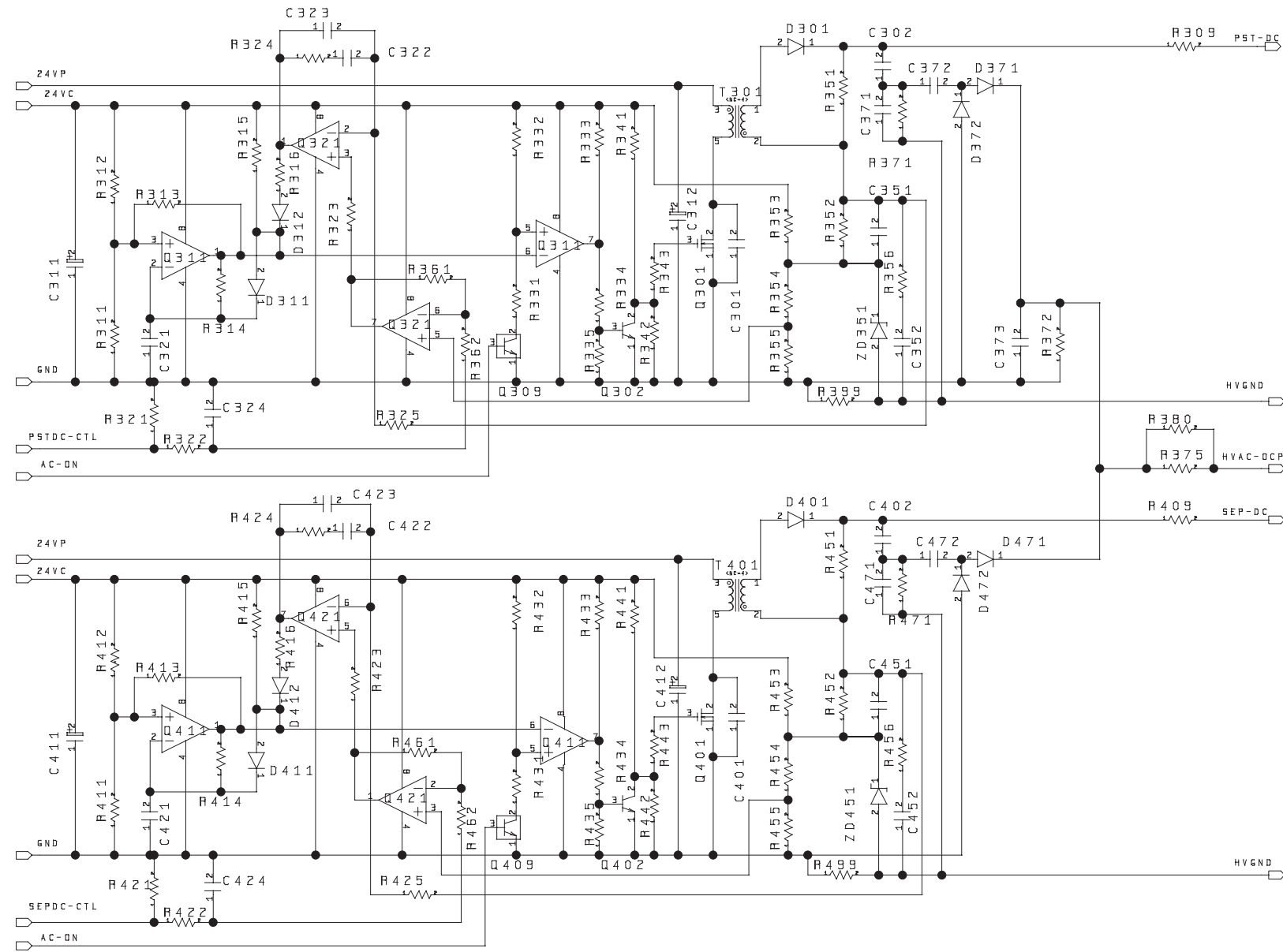


HV-DC PCB (2/6)  
iR7105 / iR7095 / iR7086



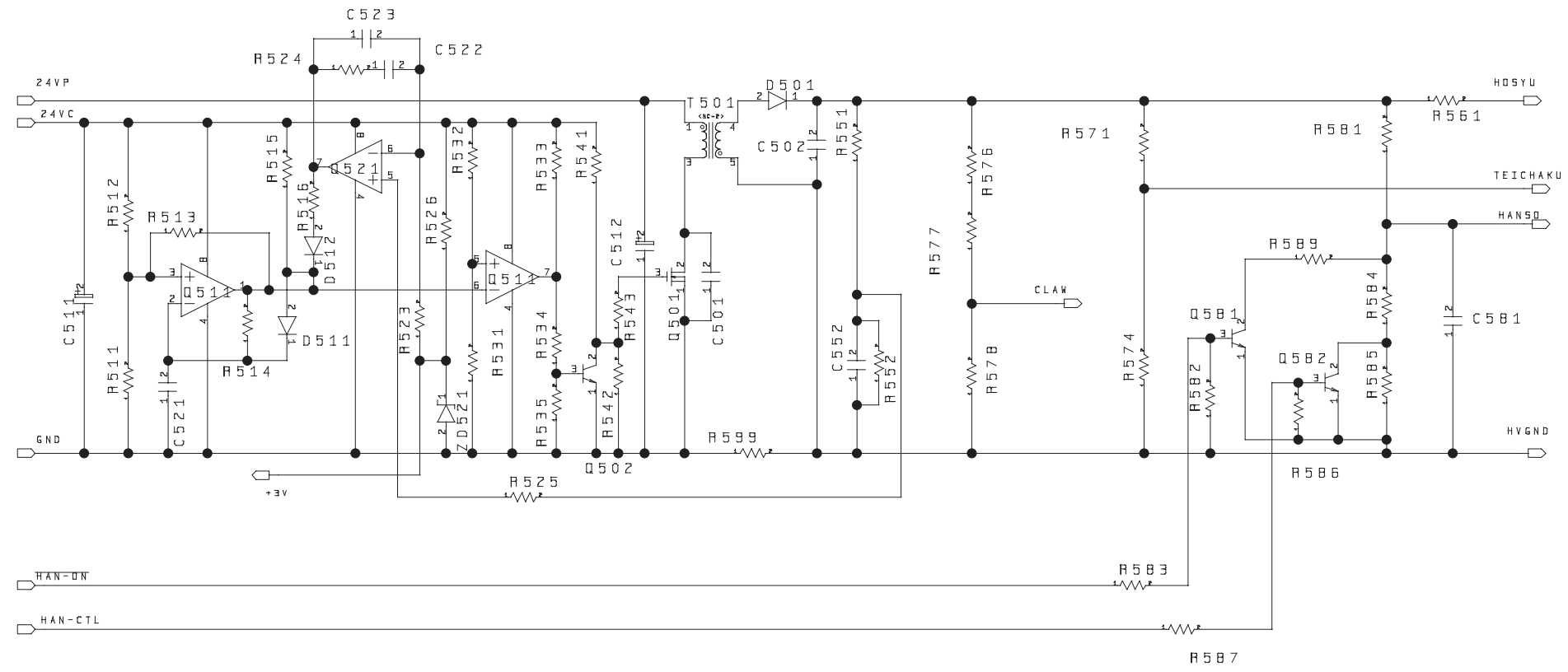
F-3-4

HV-DC PCB (3/6)  
iR7105 / iR7095 / iR7086



F-3-5

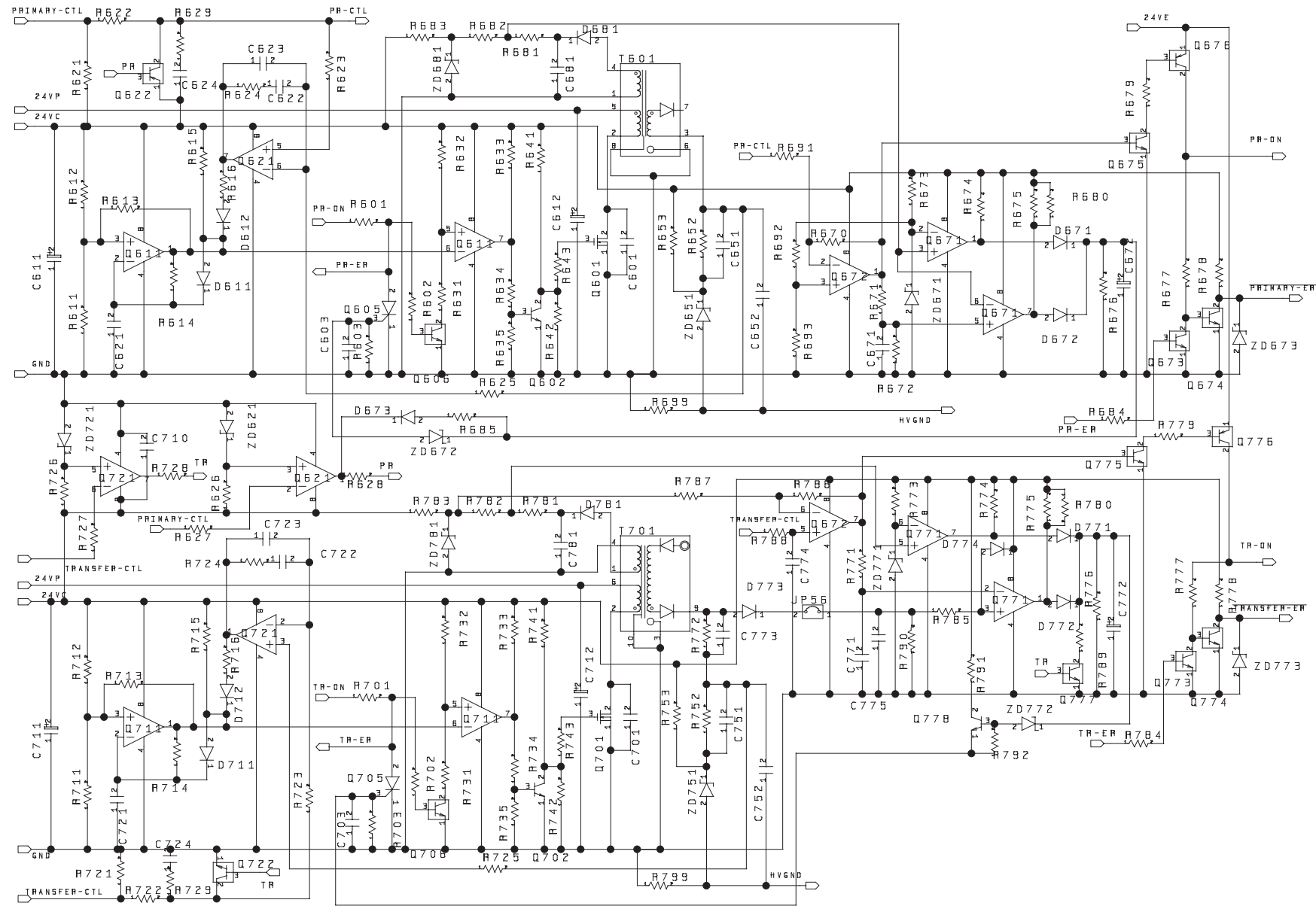
HV-DC PCB (4/6)  
 iR7105 / iR7095 / iR7086



F-3-6

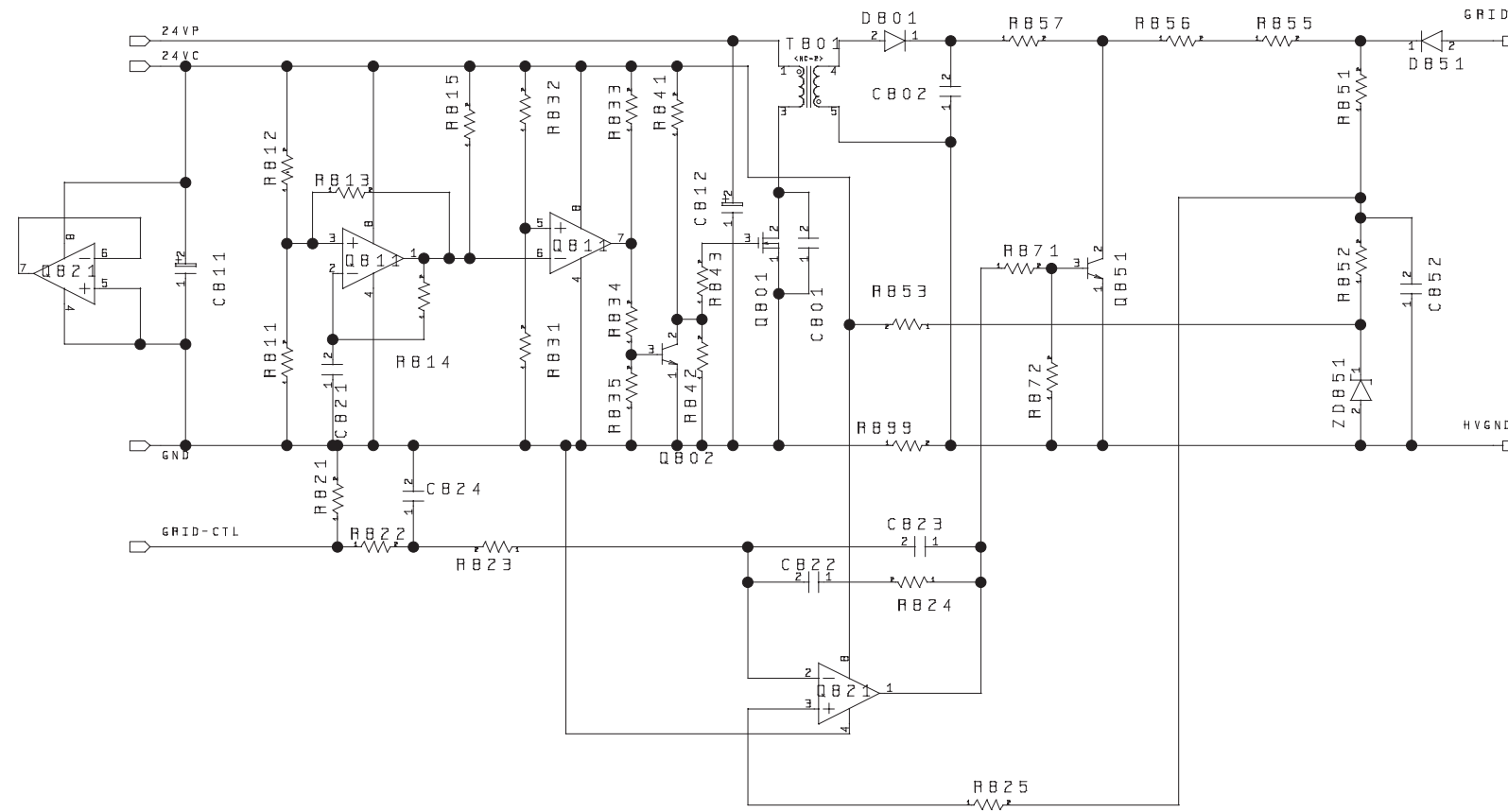
HV-DC PCB (5/6)  
iR7105 / iR7095 / iR7086





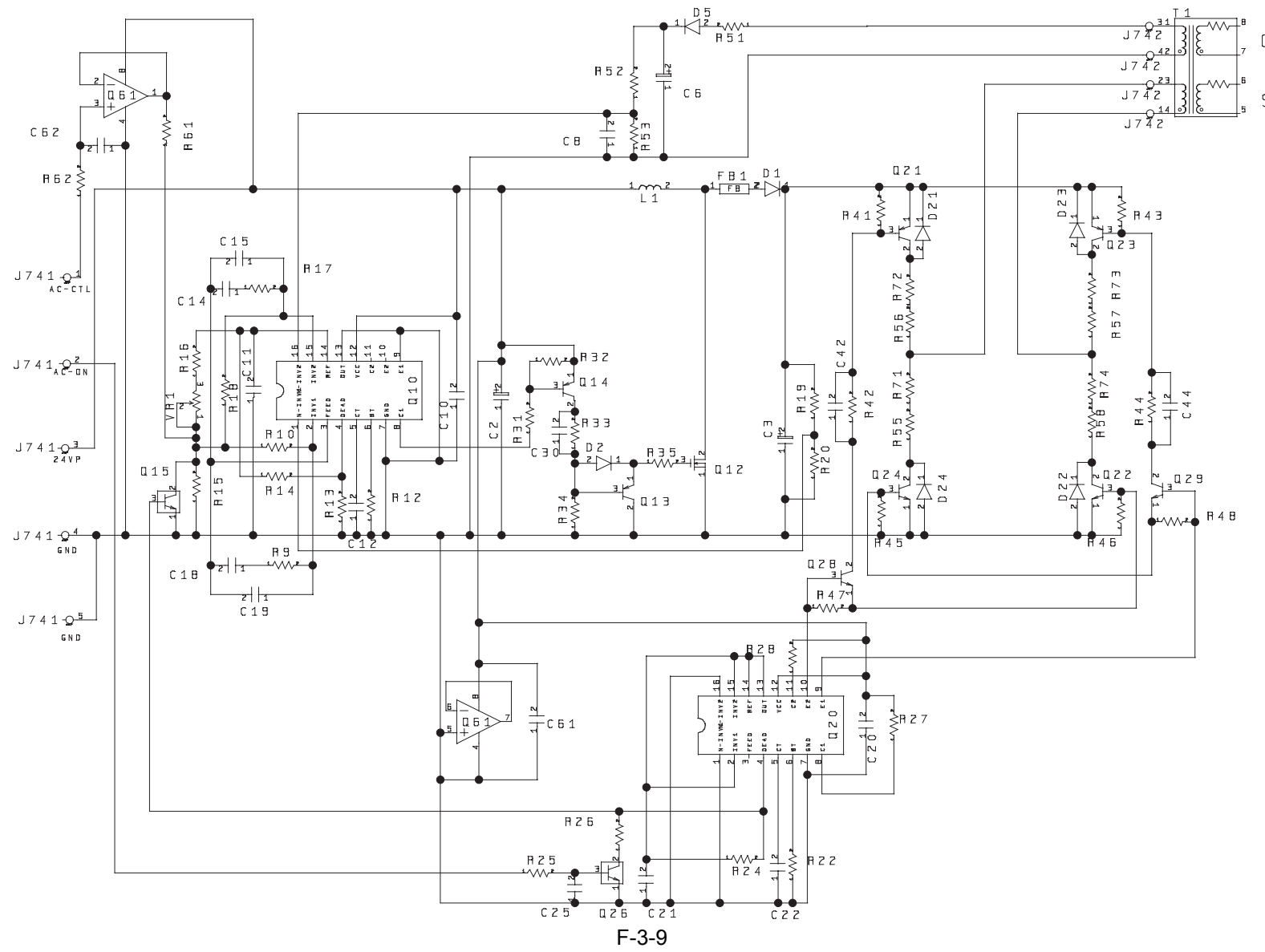
F-3-7

HV-DC PCB (6/6)  
 iR7105 / iR7095 / iR7086

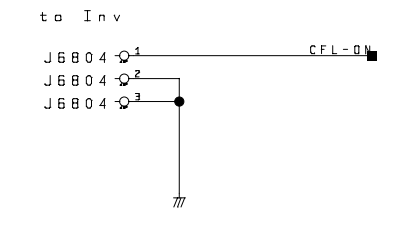
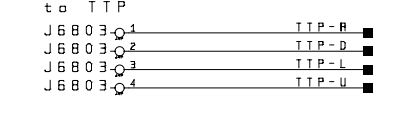
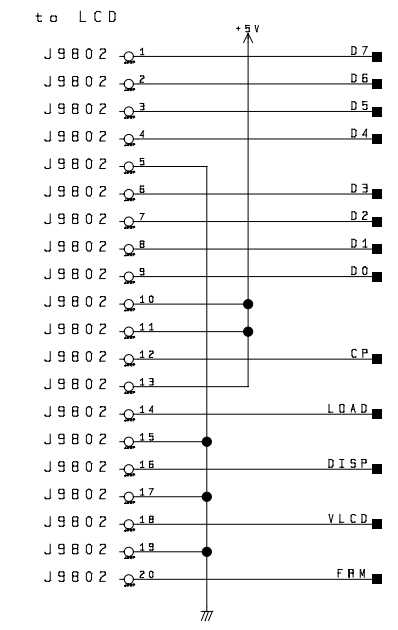
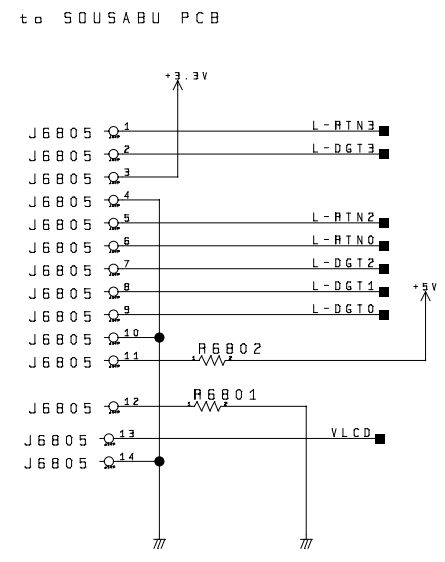
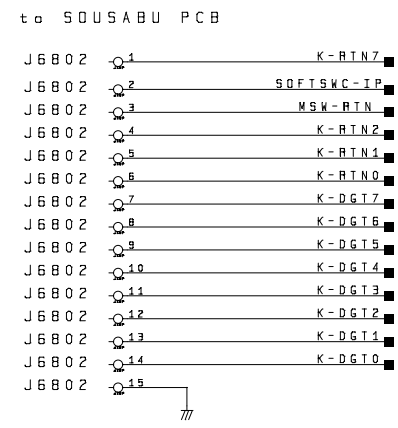
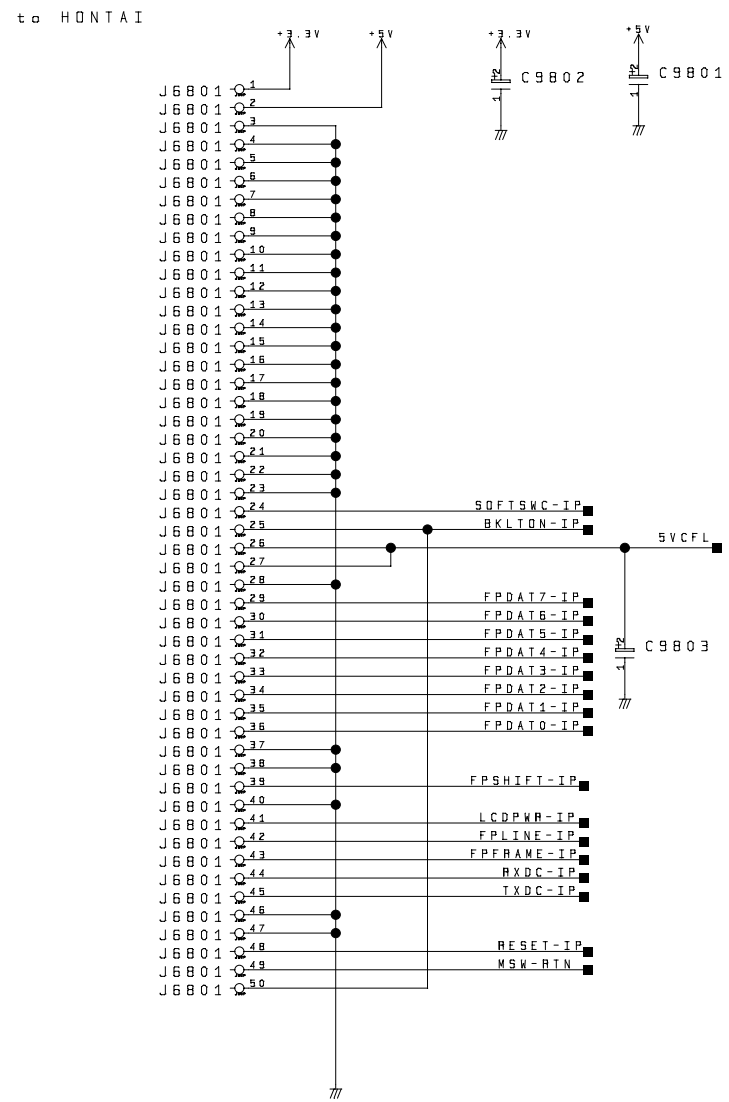


F-3-8

HV-AC PCB (1/1)  
iR7105 / iR7095 / iR7086

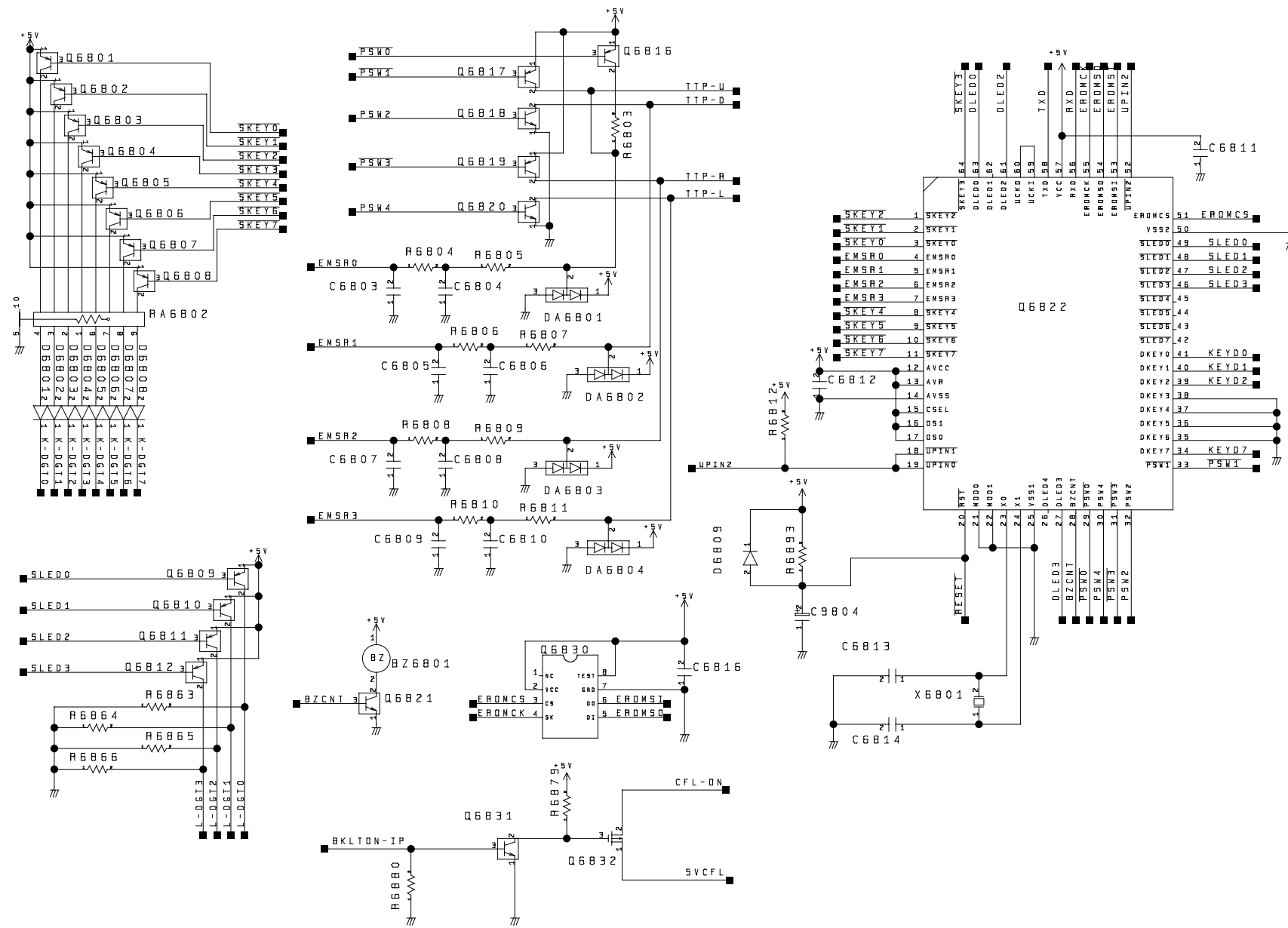


Control Panel CPU PCB  
 CONTROL PANEL CPU PCB (1/3)  
 iR7105 / iR7095 / iR7086



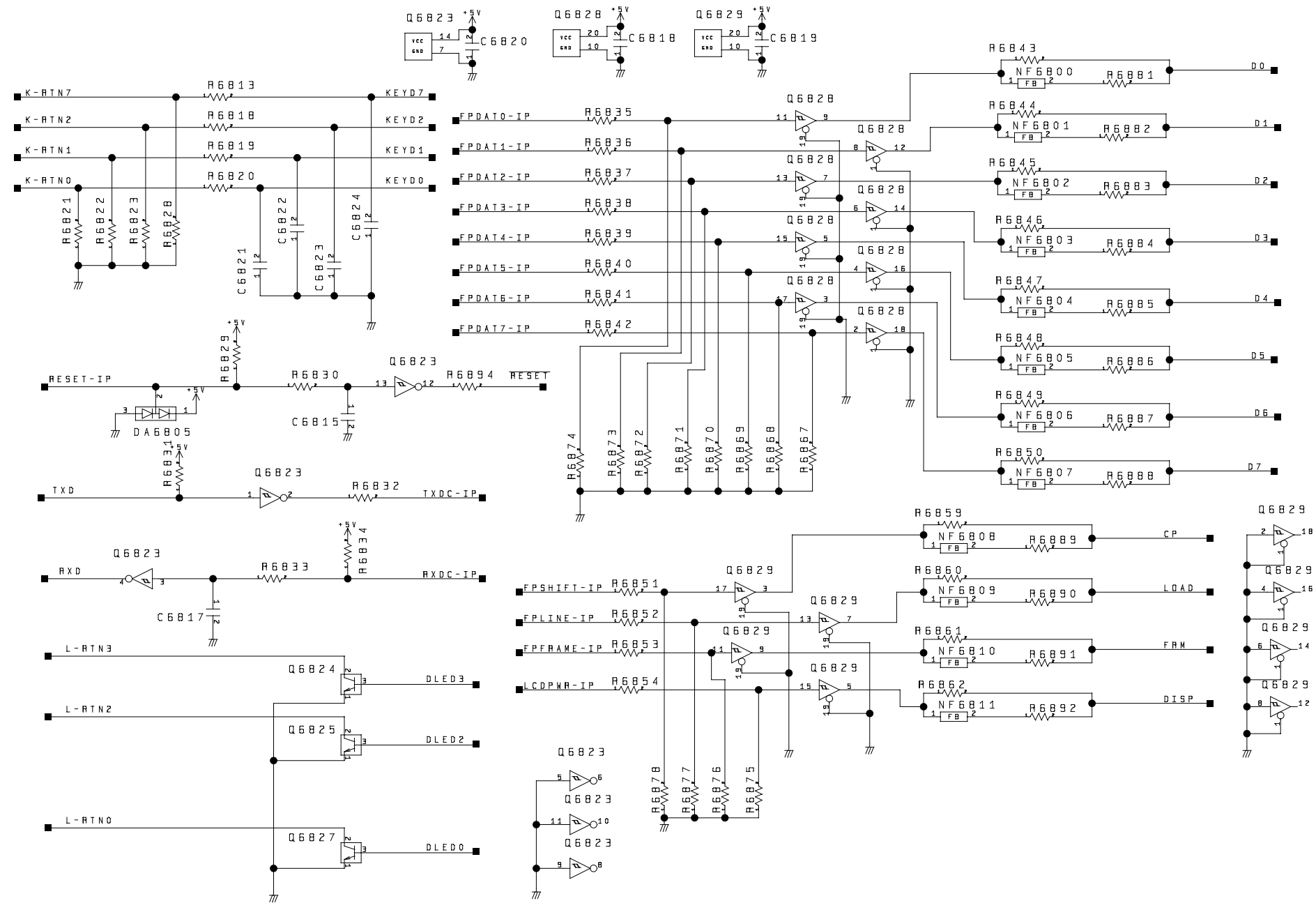
F-3-10

CONTROL PANEL CPU PCB (2/3)  
iR7105 / iR7095 / iR7086



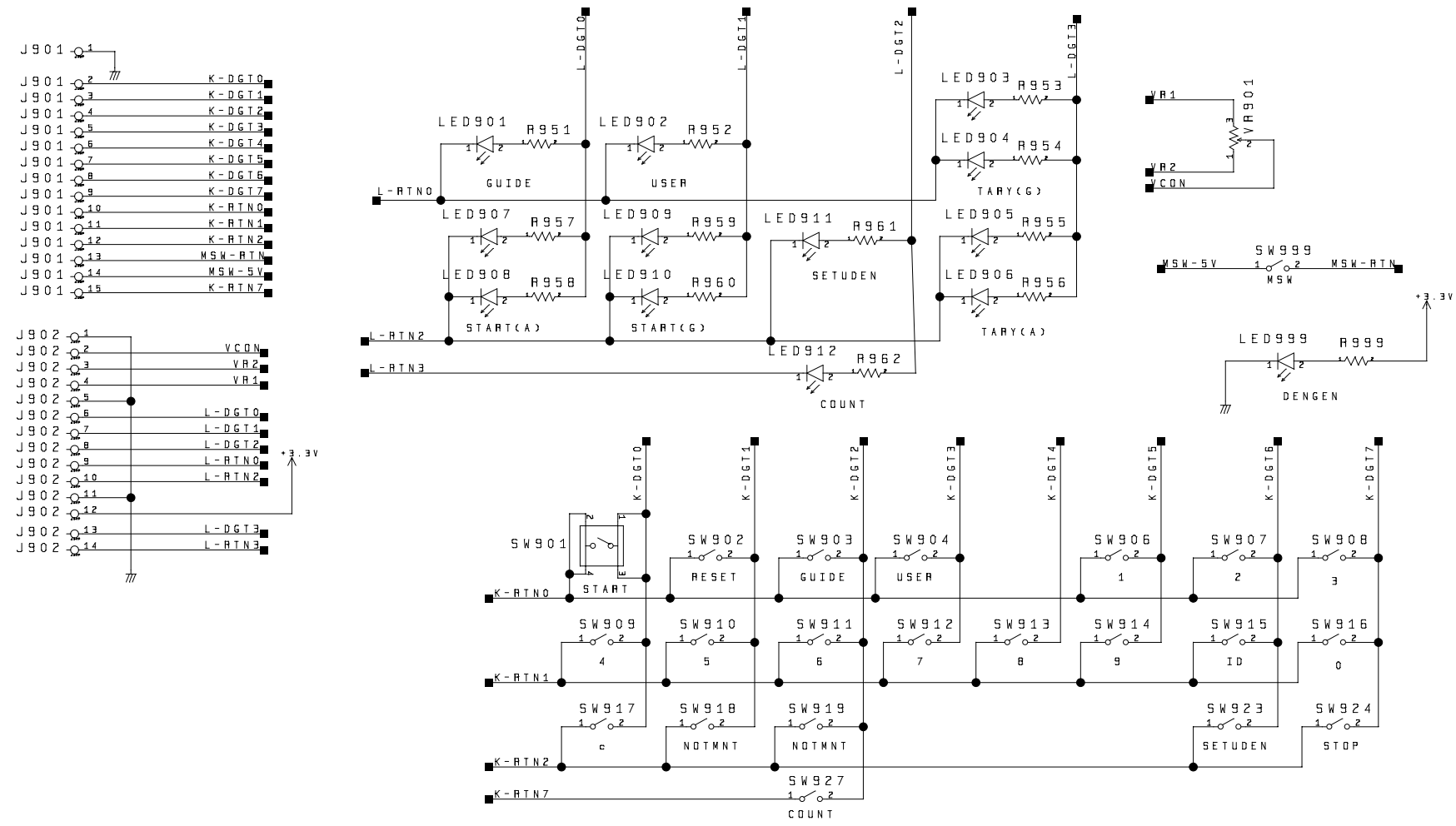
F-3-11

CONTROL PANEL CPU PCB (3/3)  
iR7105 / iR7095 / iR7086



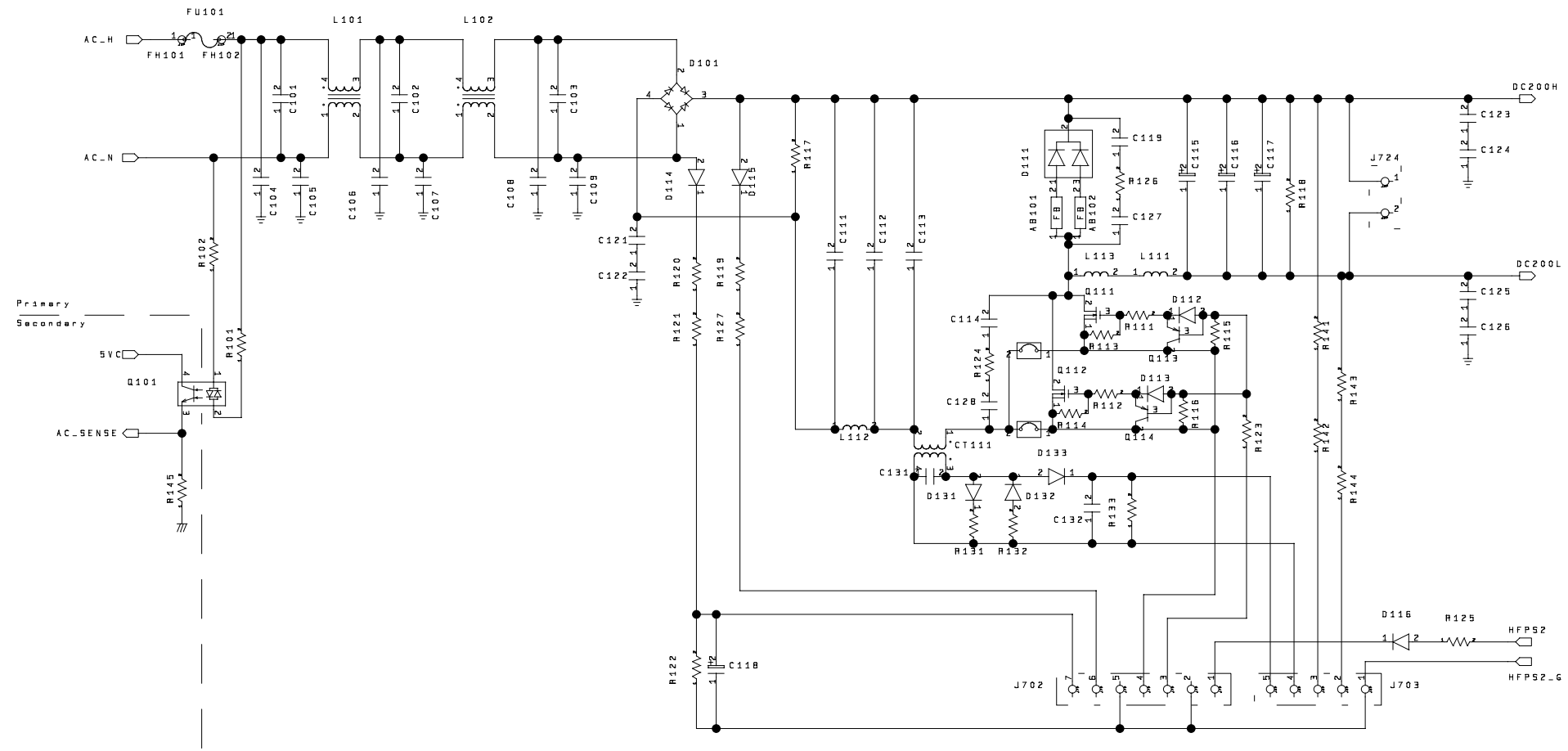
F-3-12

Panel Switch PCB  
 KEYTOP PCB (1/1)  
 iR7105 / iR7095 / iR7086



F-3-13

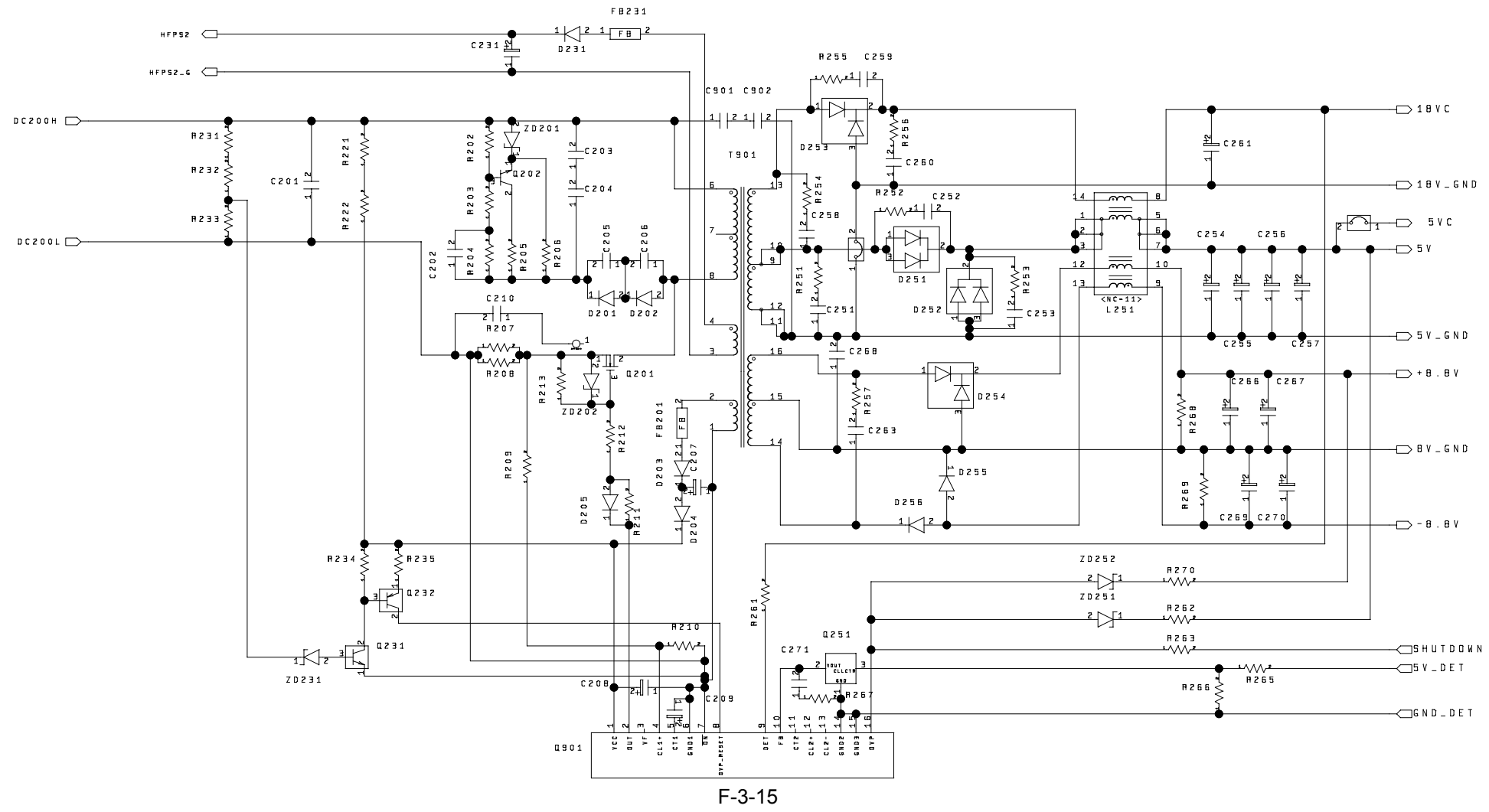
DC Power Supply PCB  
 DC POWER SUPPLY MAIN PCB (200V) (1/5)  
 iR7105 / iR7095 / iR7086



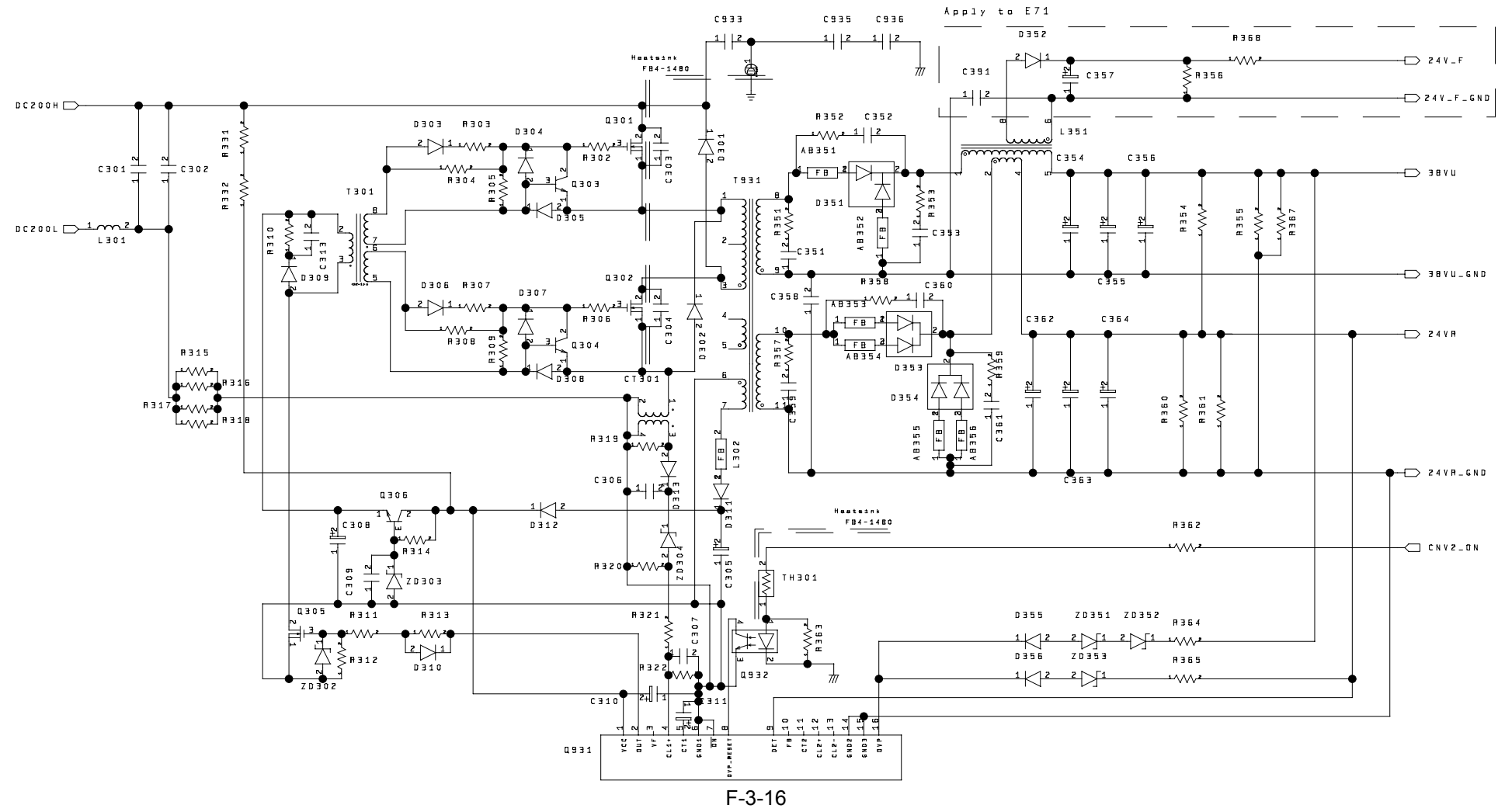
F-3-14

DC POWER SUPPLY MAIN PCB (200V) (2/5)  
iR7105 / iR7095 / iR7086

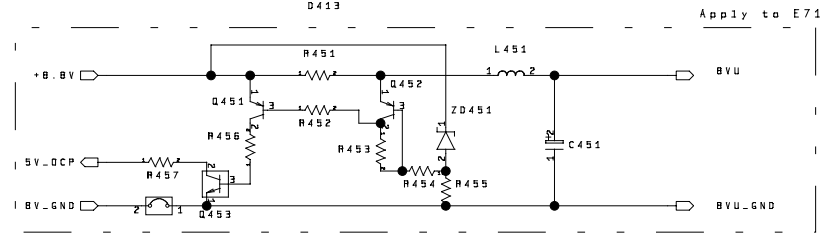
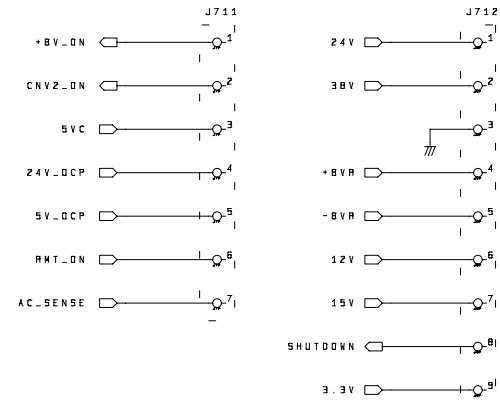
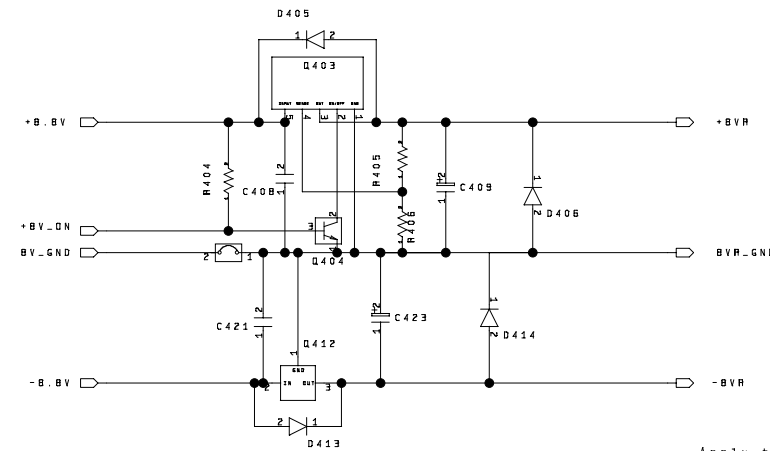
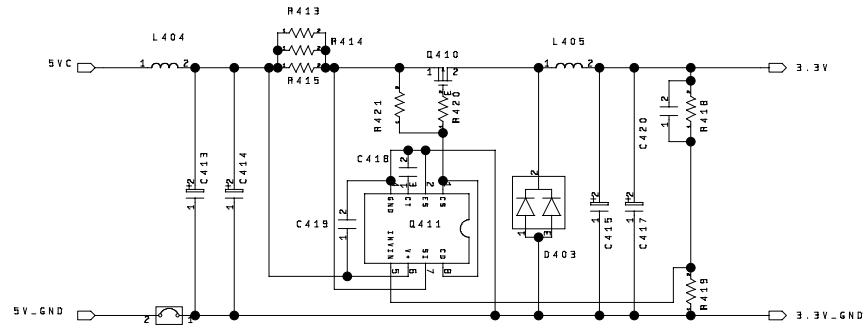
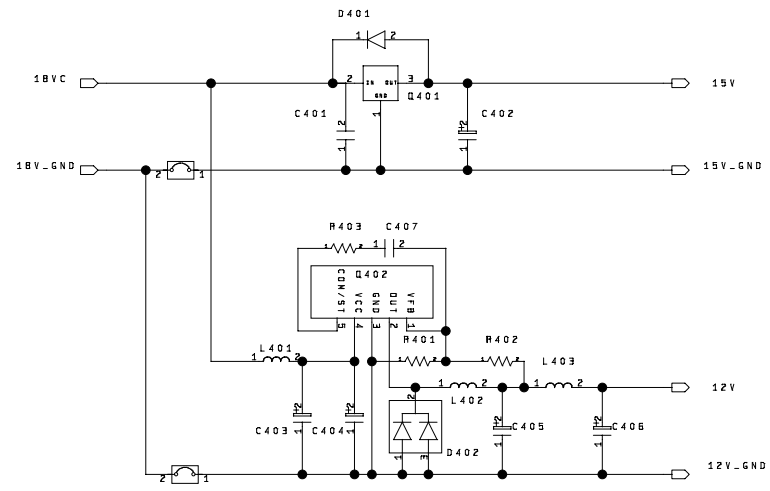




DC POWER SUPPLY MAIN PCB (200V) (3/5)  
iR7105 / iR7095 / iR7086



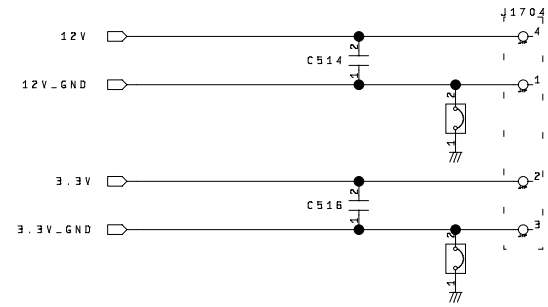
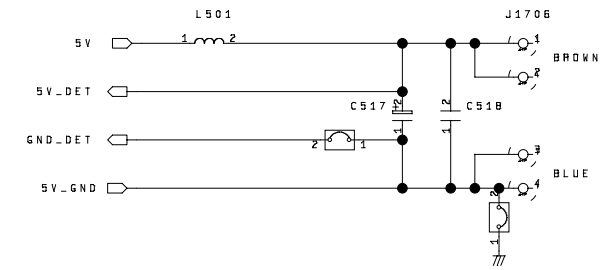
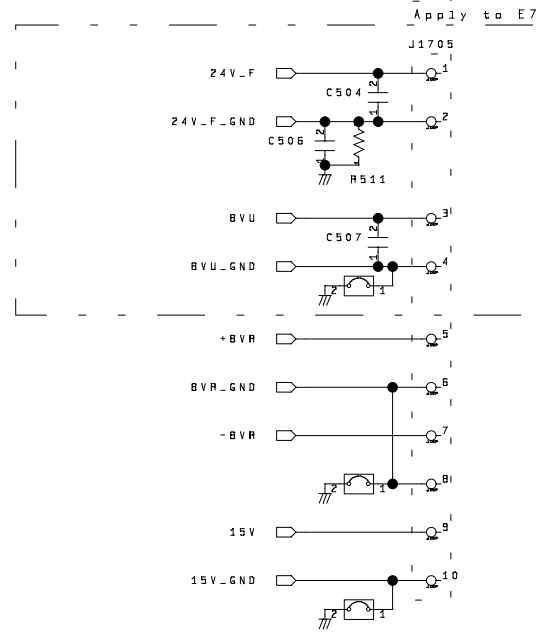
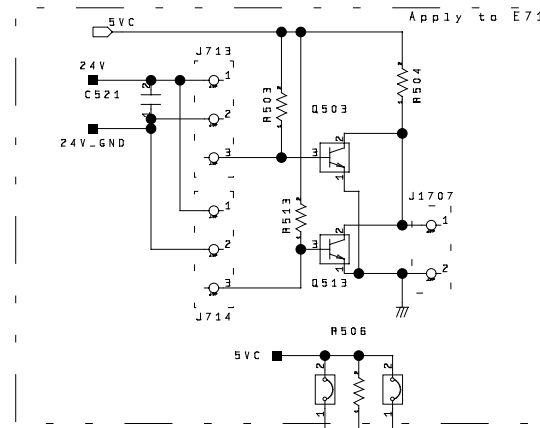
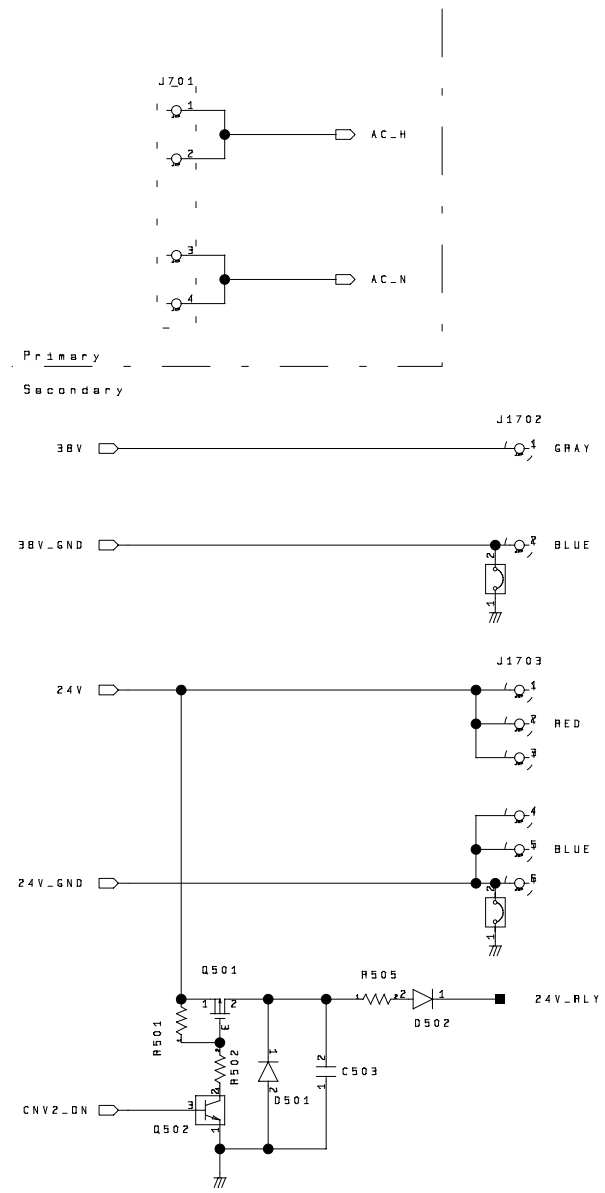
DC POWER SUPPLY MAIN PCB (200V) (4/5)  
iR7105 / iR7095 / iR7086



Apply to E71

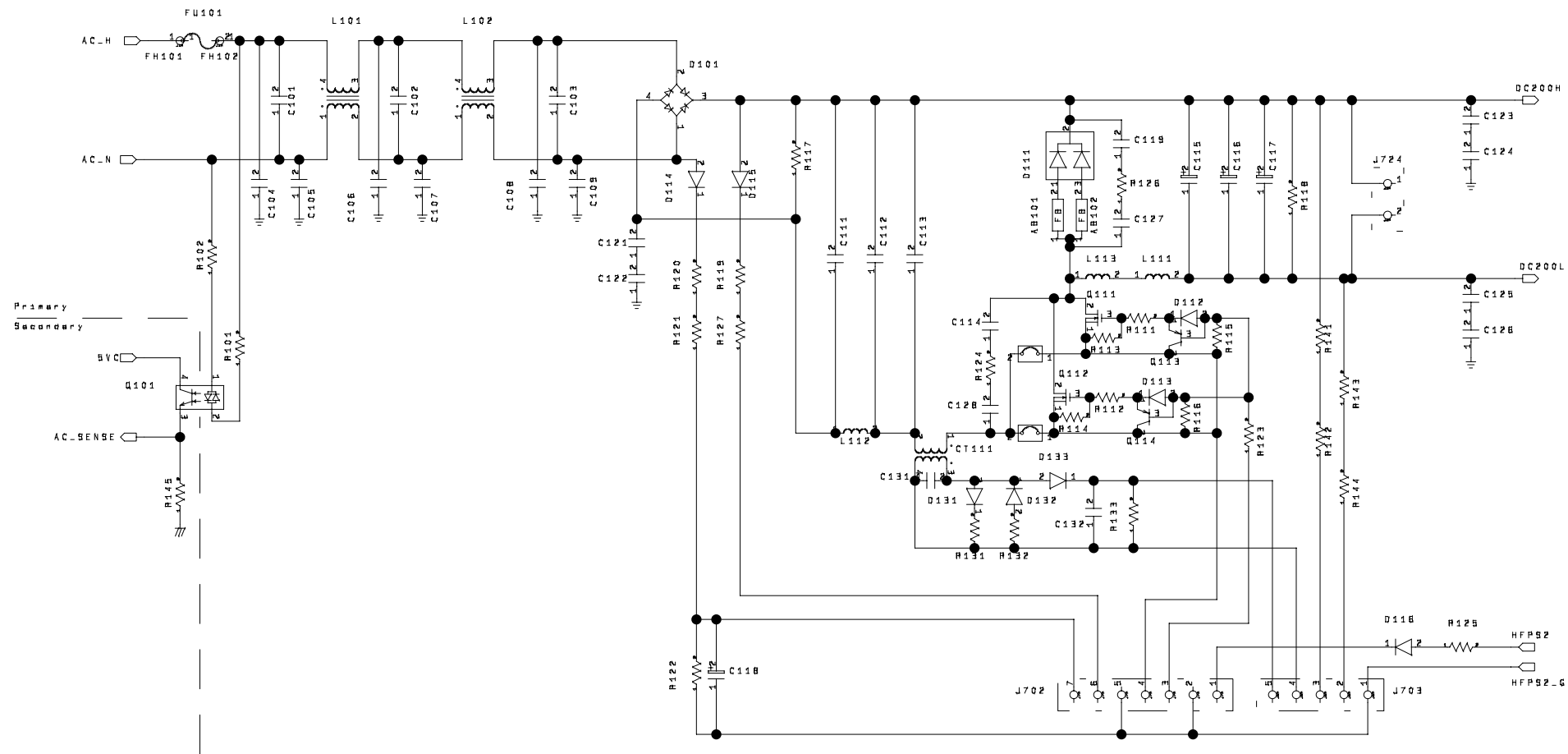
F-3-17

DC POWER SUPPLY MAIN PCB (200V) (5/5)  
iR7105 / iR7095 / iR7086



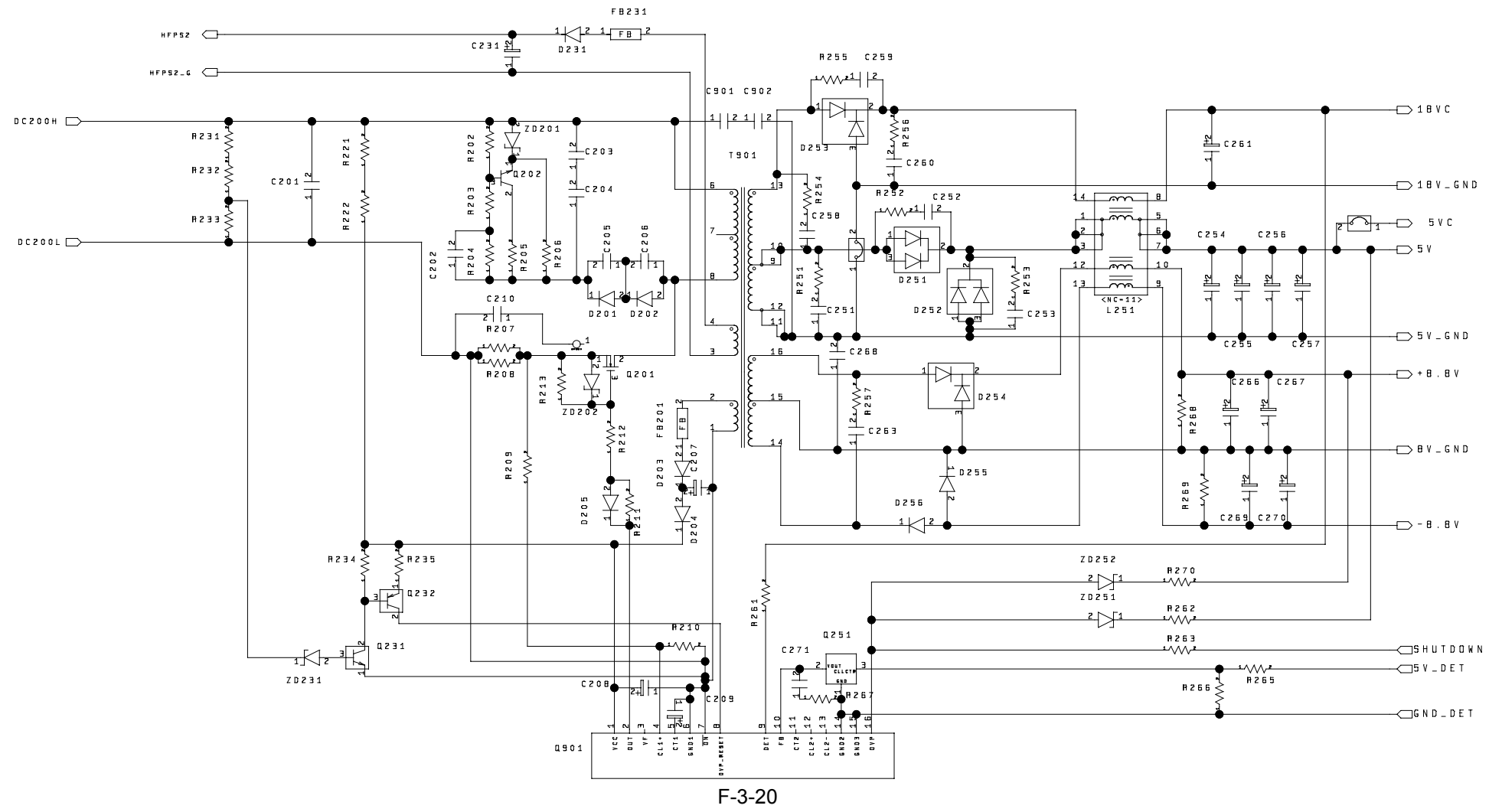
F-3-18

DC POWER SUPPLY MAIN PCB (208V) (1/5)  
iR7105 / iR7095 / iR7086

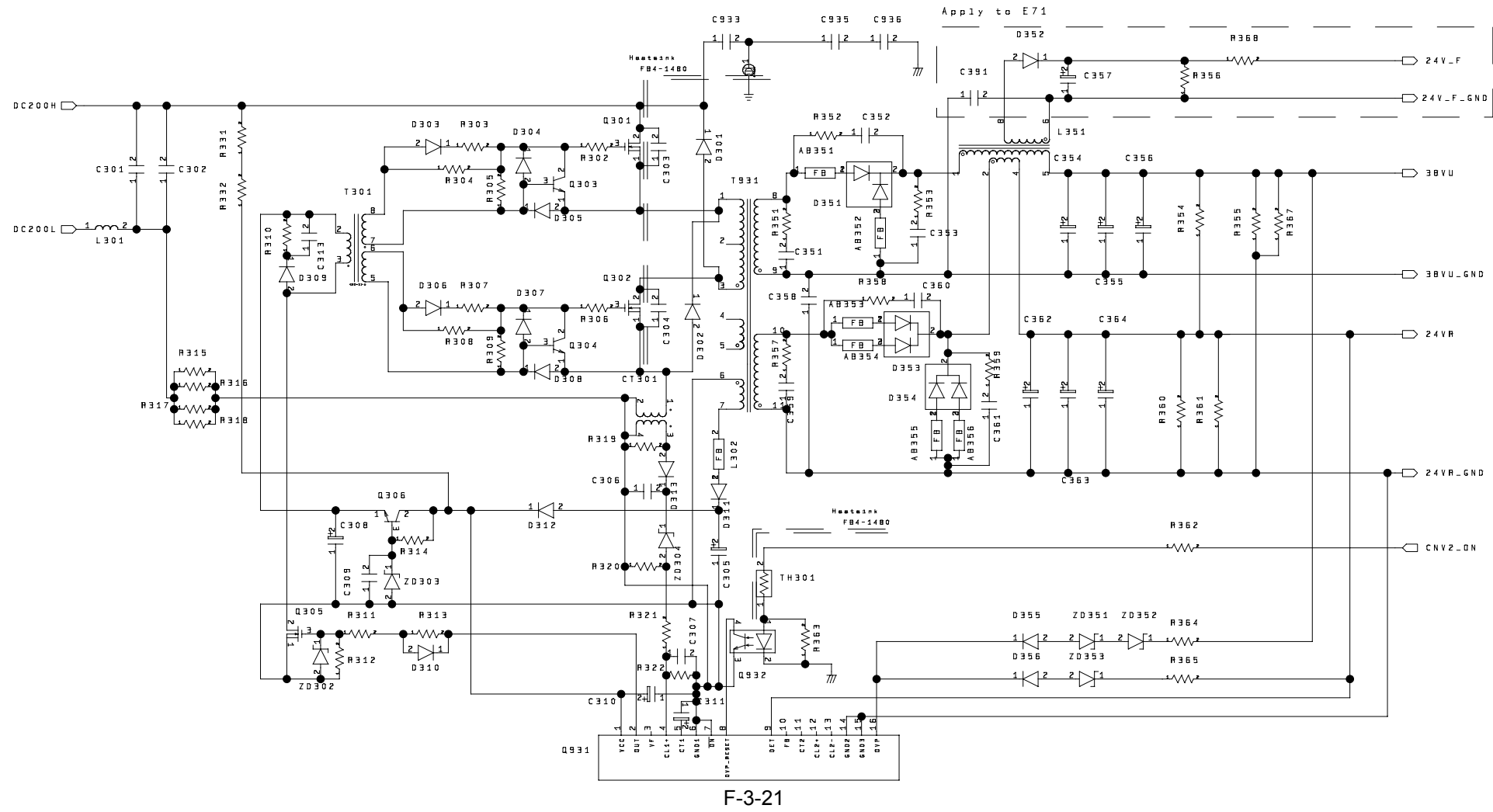


F-3-19

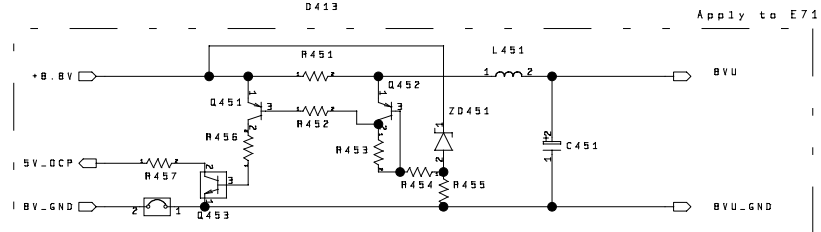
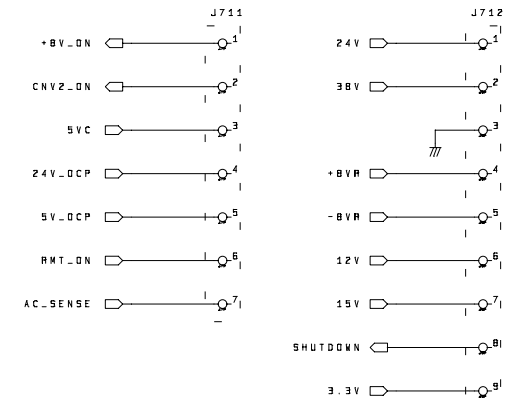
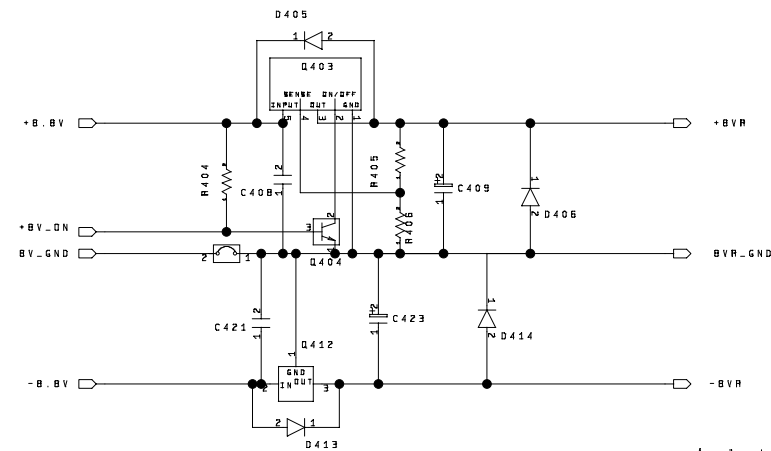
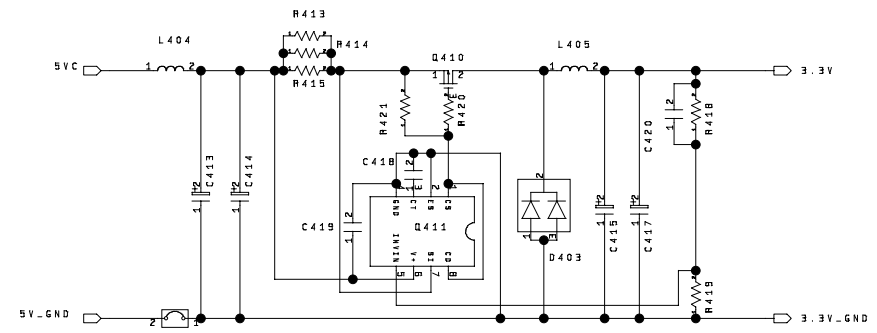
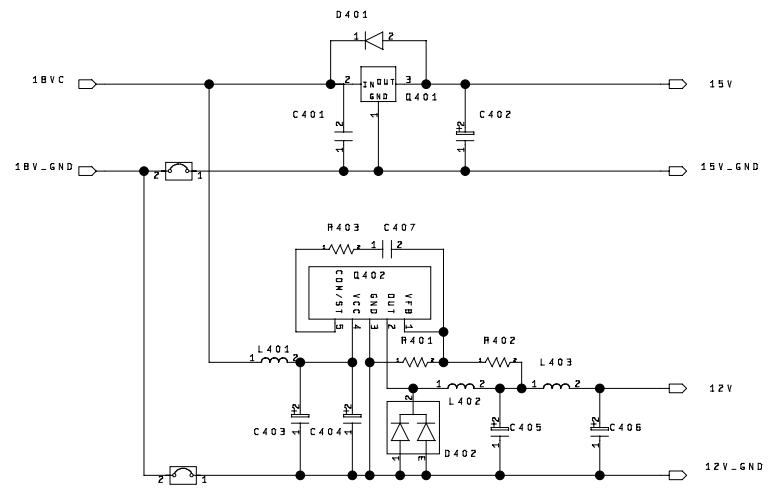
DC POWER SUPPLY MAIN PCB (208V) (2/5)  
iR7105 / iR7095 / iR7086



DC POWER SUPPLY MAIN PCB (208V) (3/5)  
iR7105 / iR7095 / iR7086



DC POWER SUPPLY MAIN PCB (208V) (4/5)  
iR7105 / iR7095 / iR7086

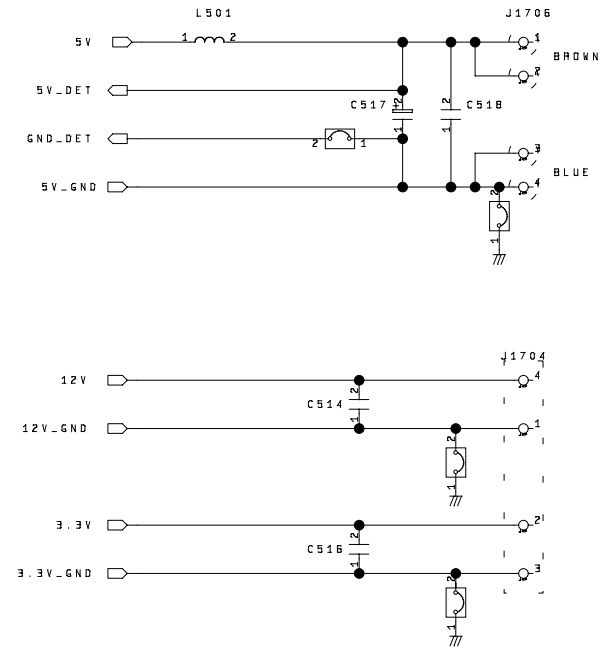
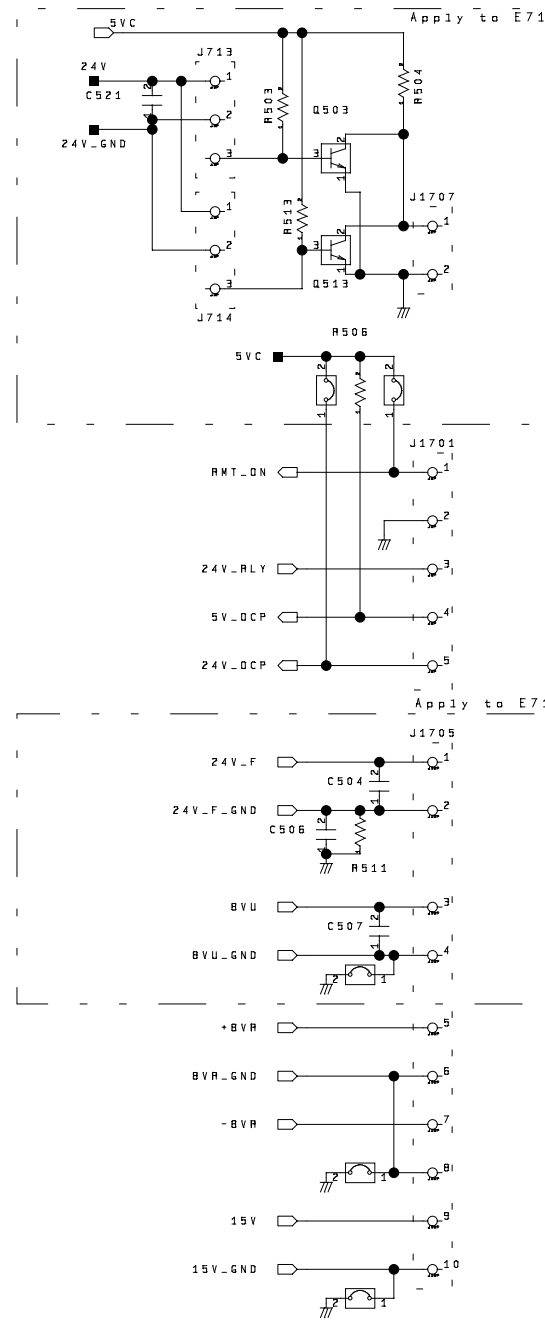
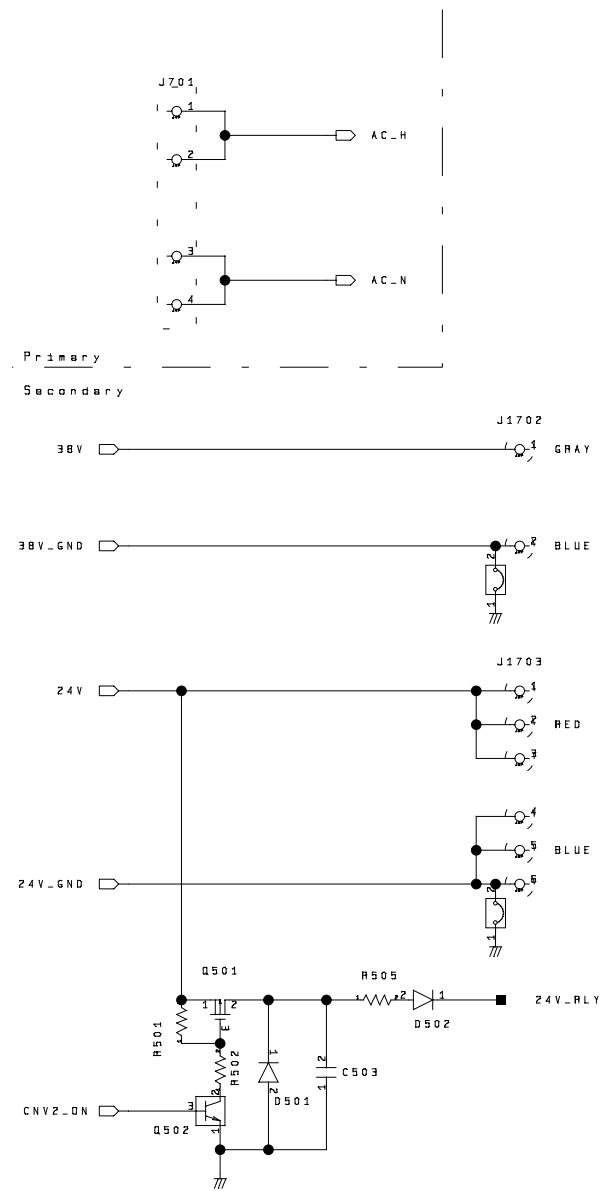


Apply to E71

F-3-22

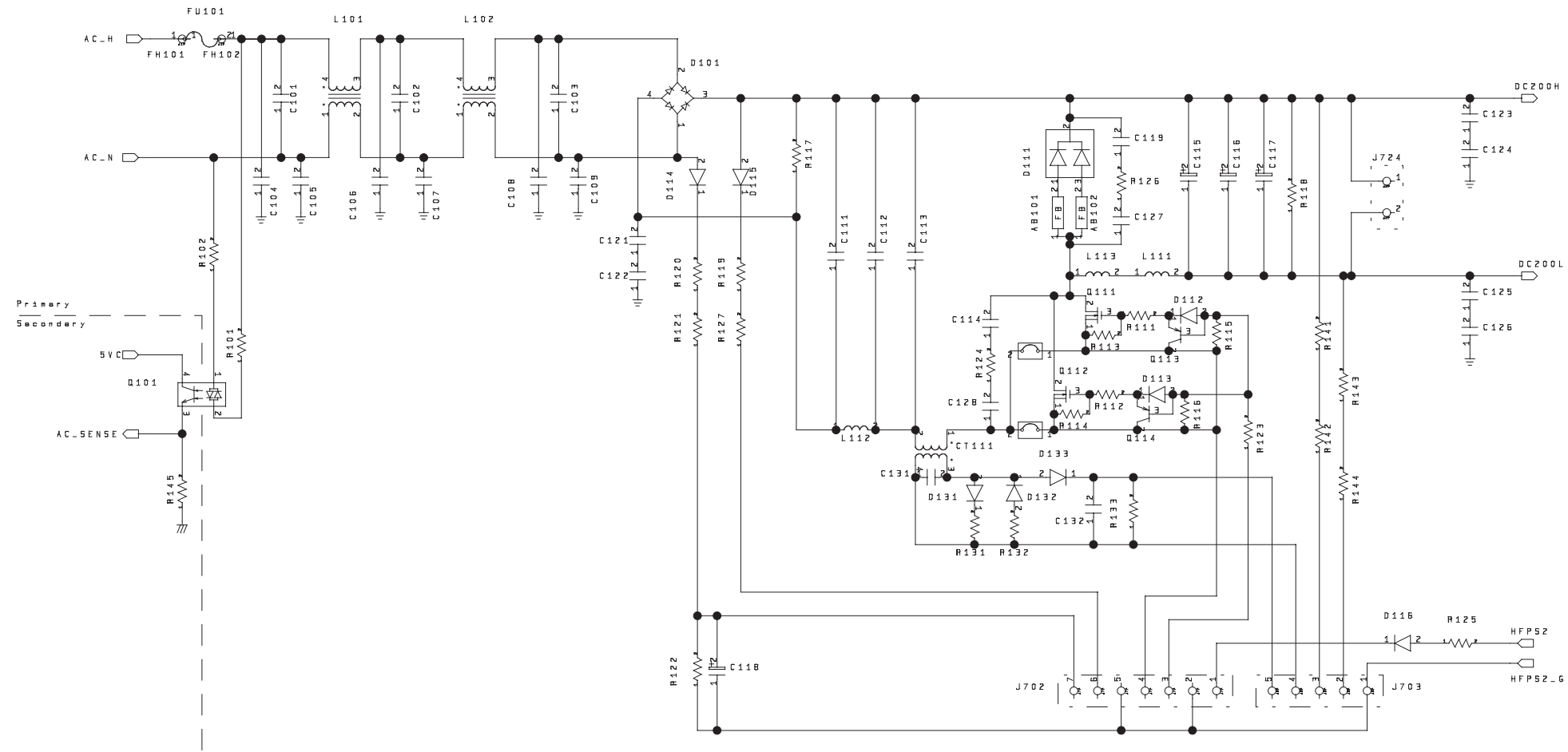
DC POWER SUPPLY MAIN PCB (208V) (5/5)  
iR7105 / iR7095 / iR7086





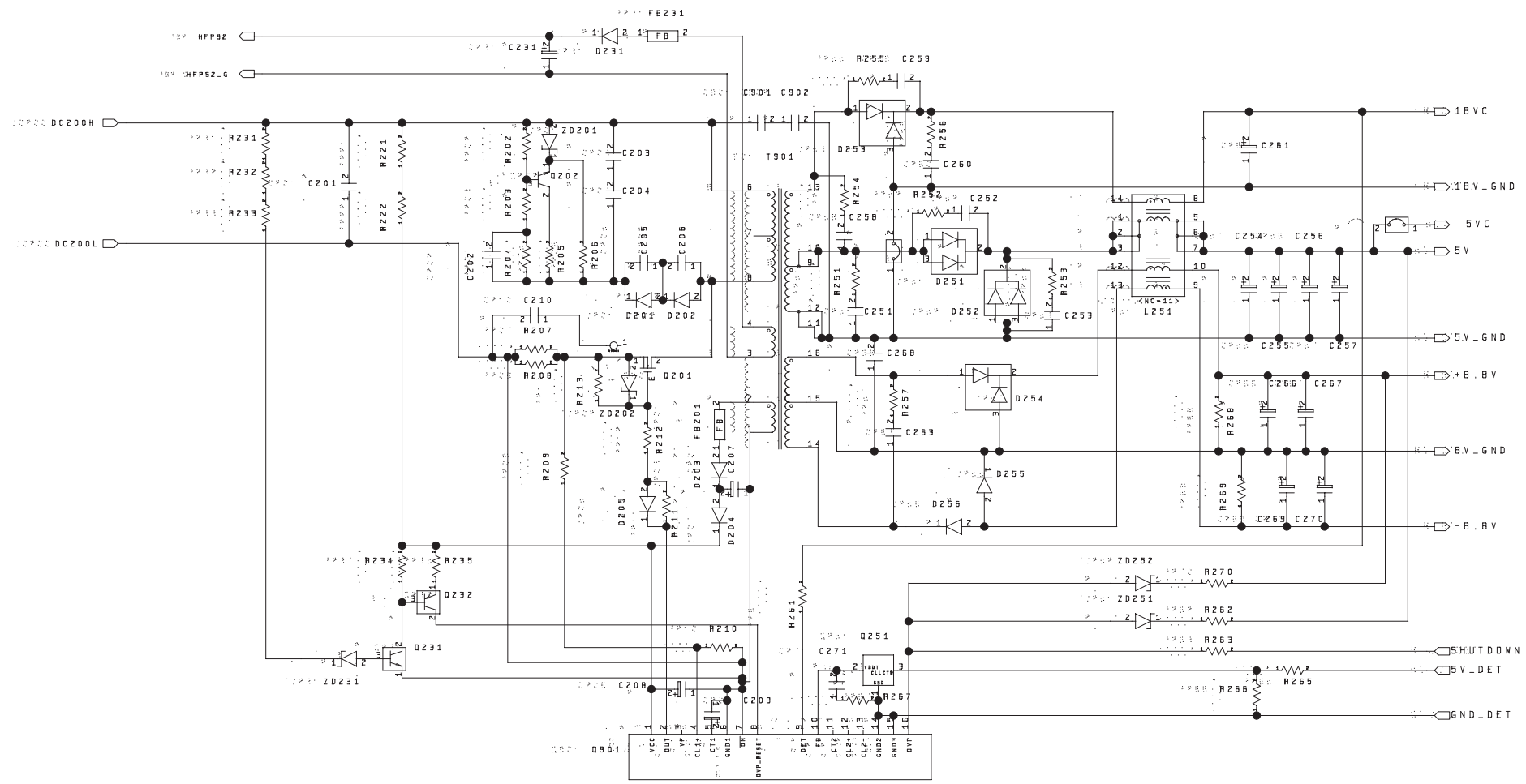
F-3-23

DC POWER SUPPLY MAIN PCB (230V) (1/5)  
iR7105 / iR7095 / iR7086



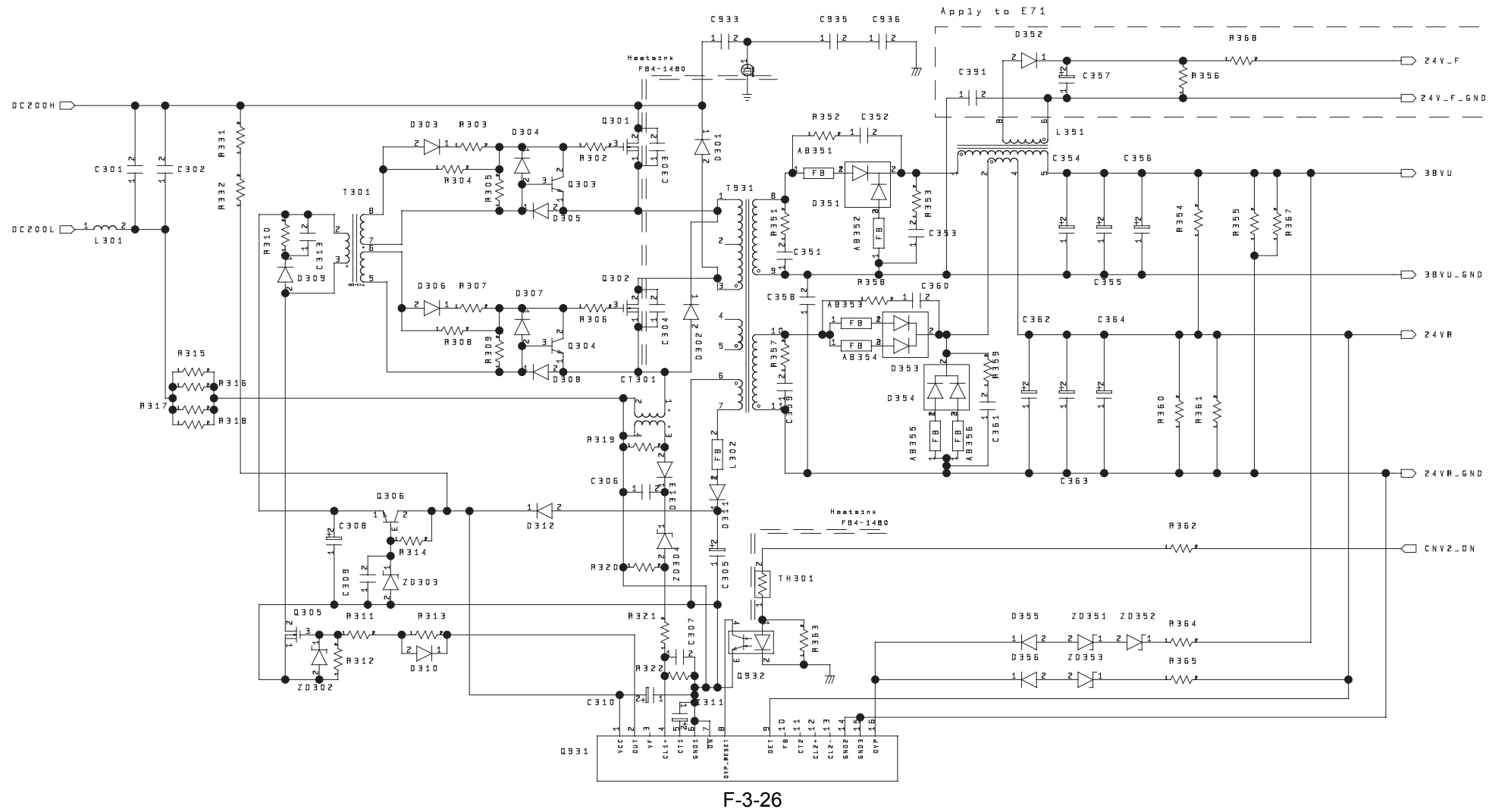
F-3-24

DC POWER SUPPLY MAIN PCB (230V) (2/5)  
iR7105 / iR7095 / iR7086

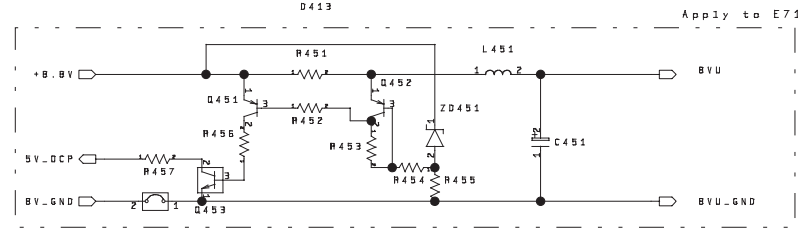
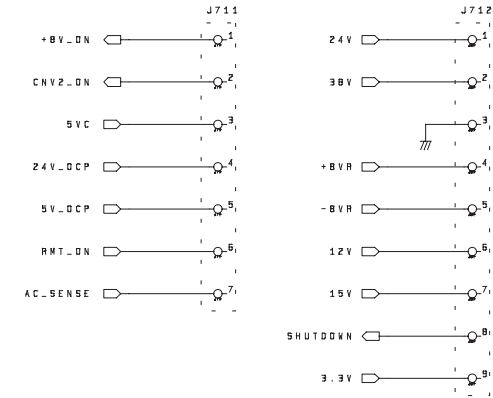
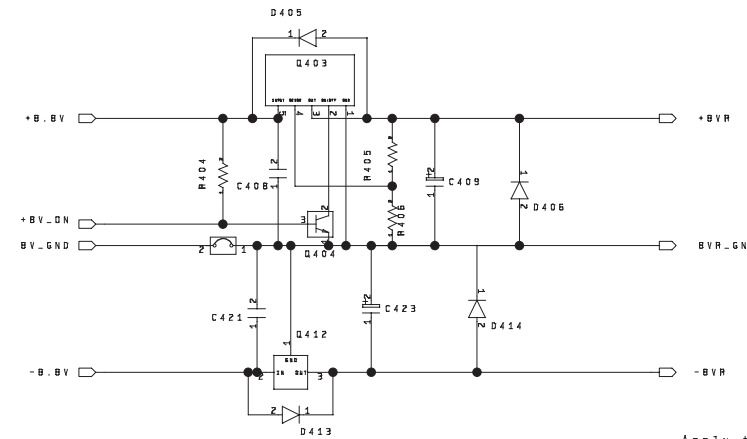
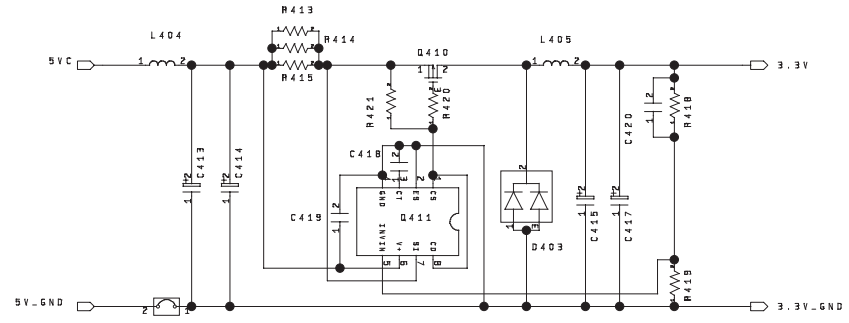
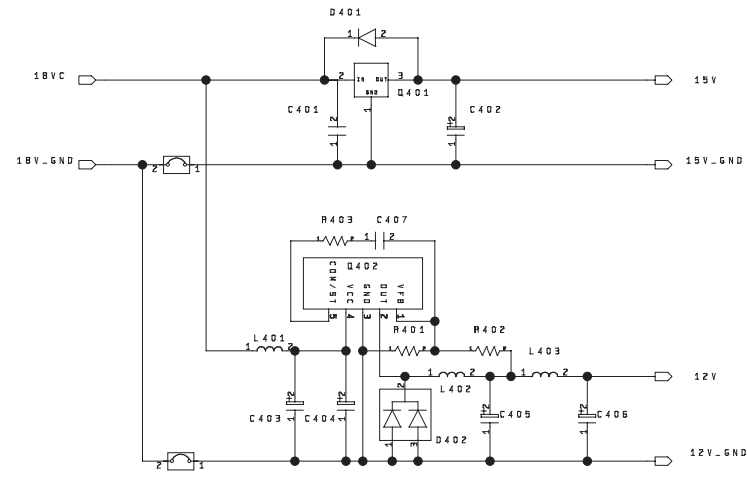


F-3-25

DC POWER SUPPLY MAIN PCB (230V) (3/5)  
iR7105 / iR7095 / iR7086

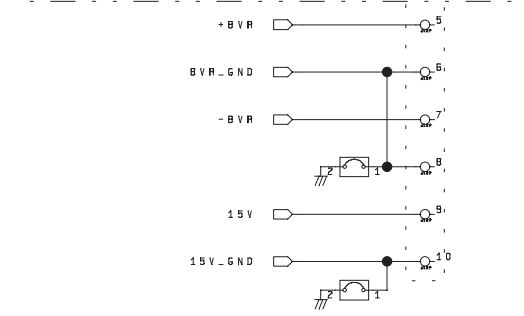
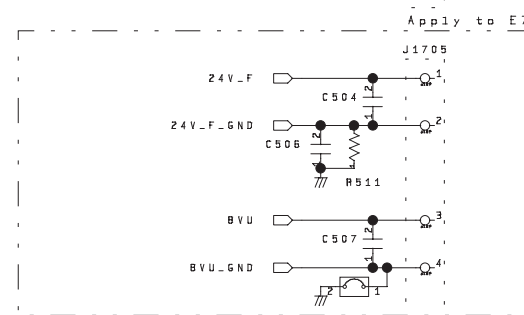
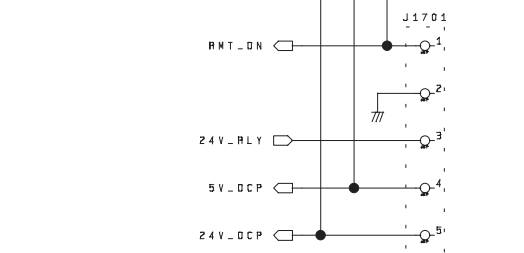
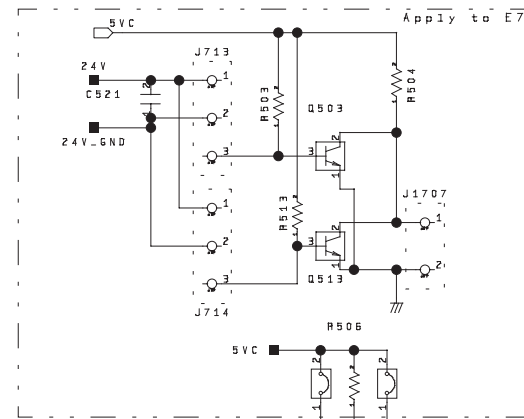
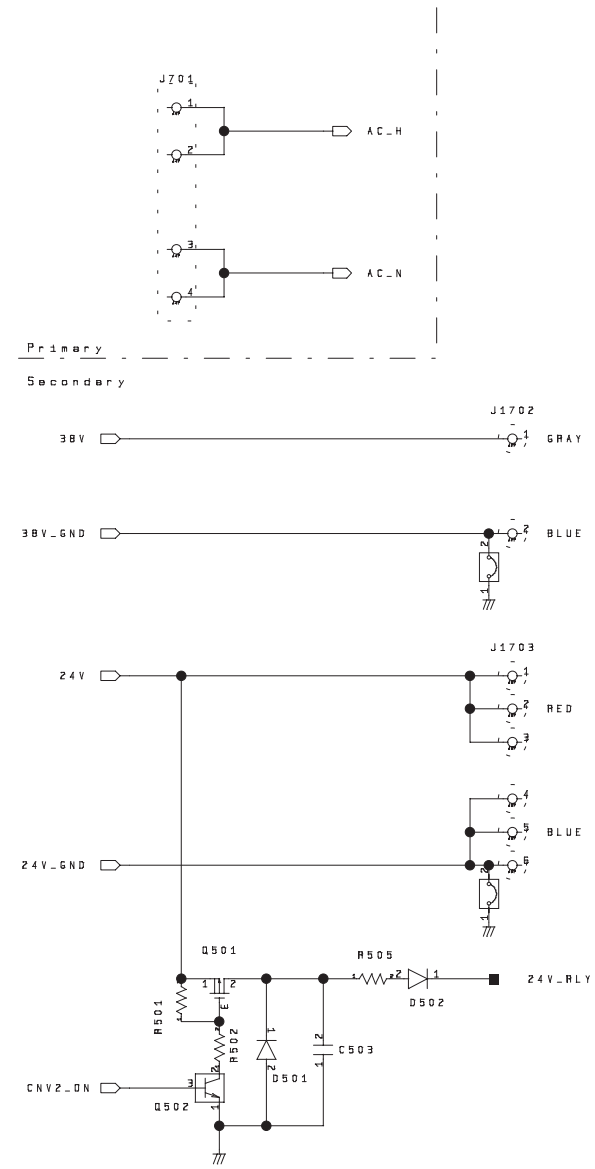


DC POWER SUPPLY MAIN PCB (230V) (4/5)  
iR7105 / iR7095 / iR7086

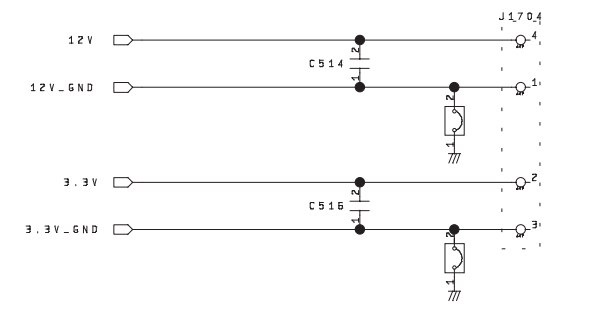
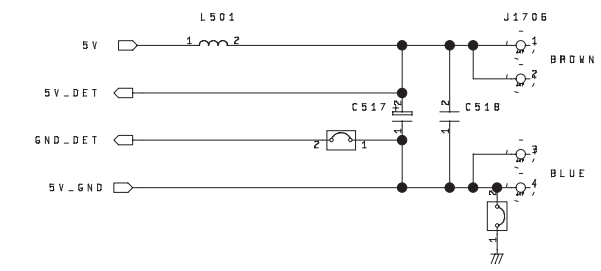


F-3-27

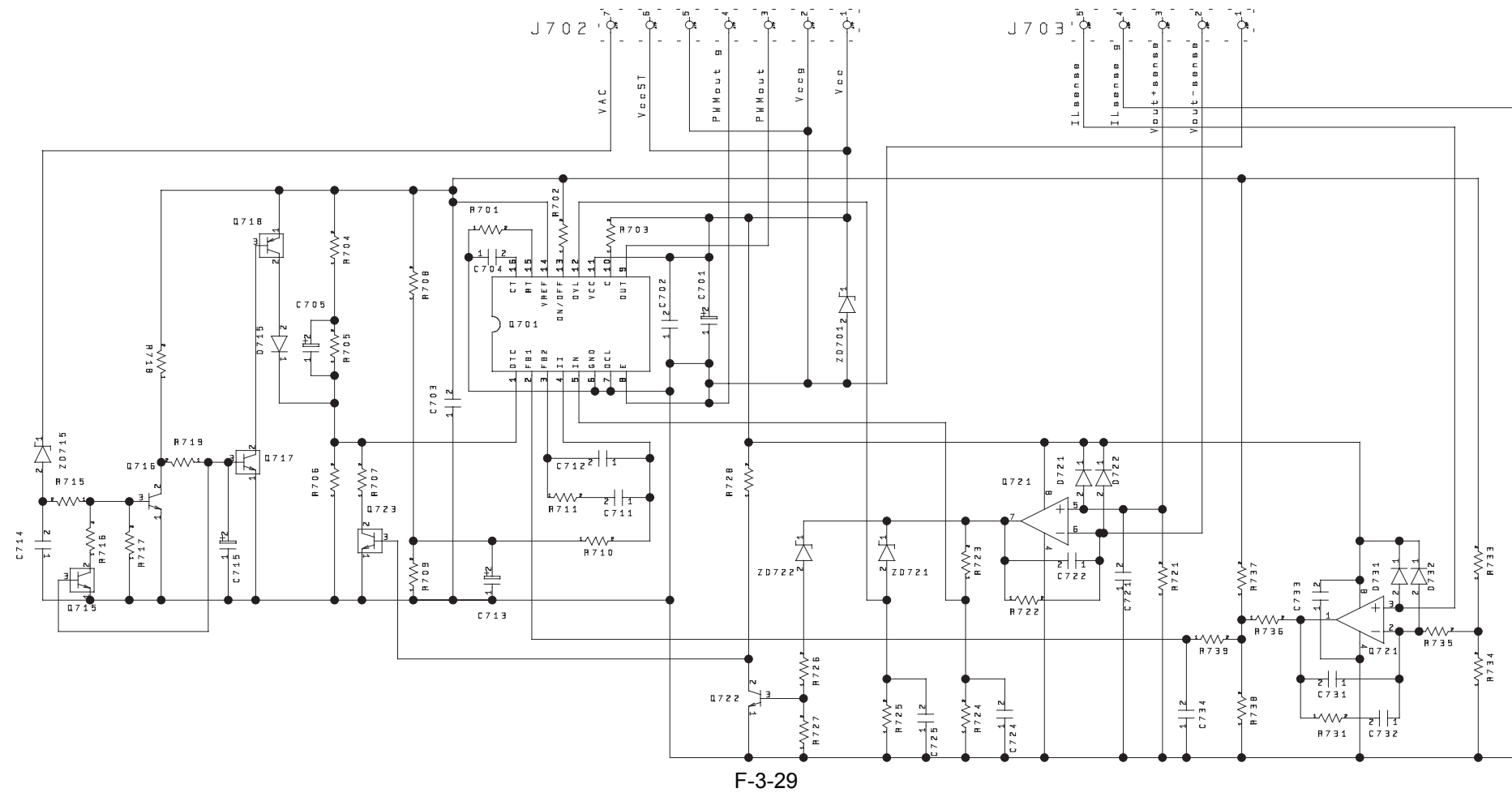
DC POWER SUPPLY MAIN PCB (230V) (5/5)  
iR7105 / iR7095 / iR7086



F-3-28

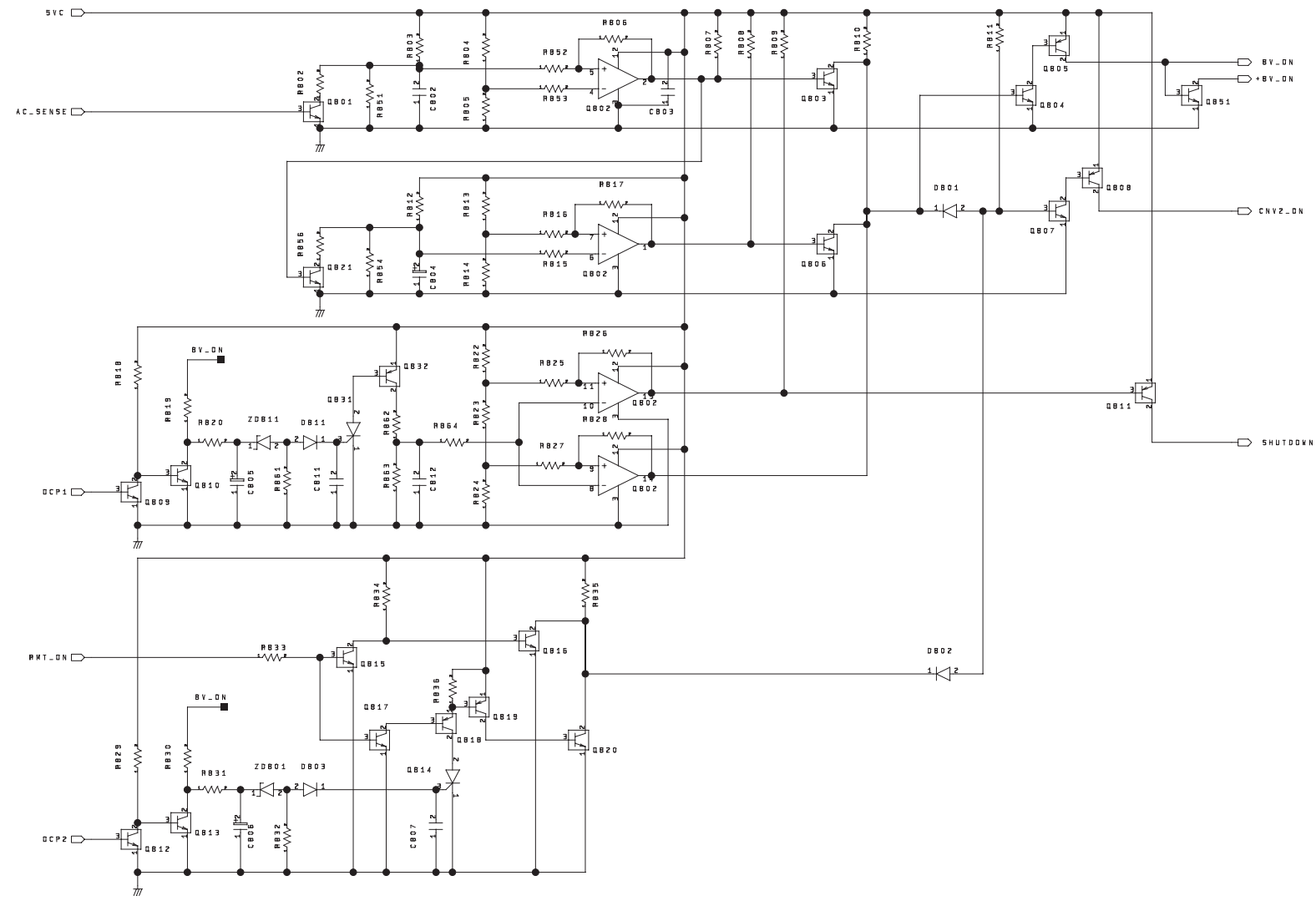


DC POWER SUPPLY SUB PCB1 (1/1)  
iR7105 / iR7095 / iR7086



F-3-29

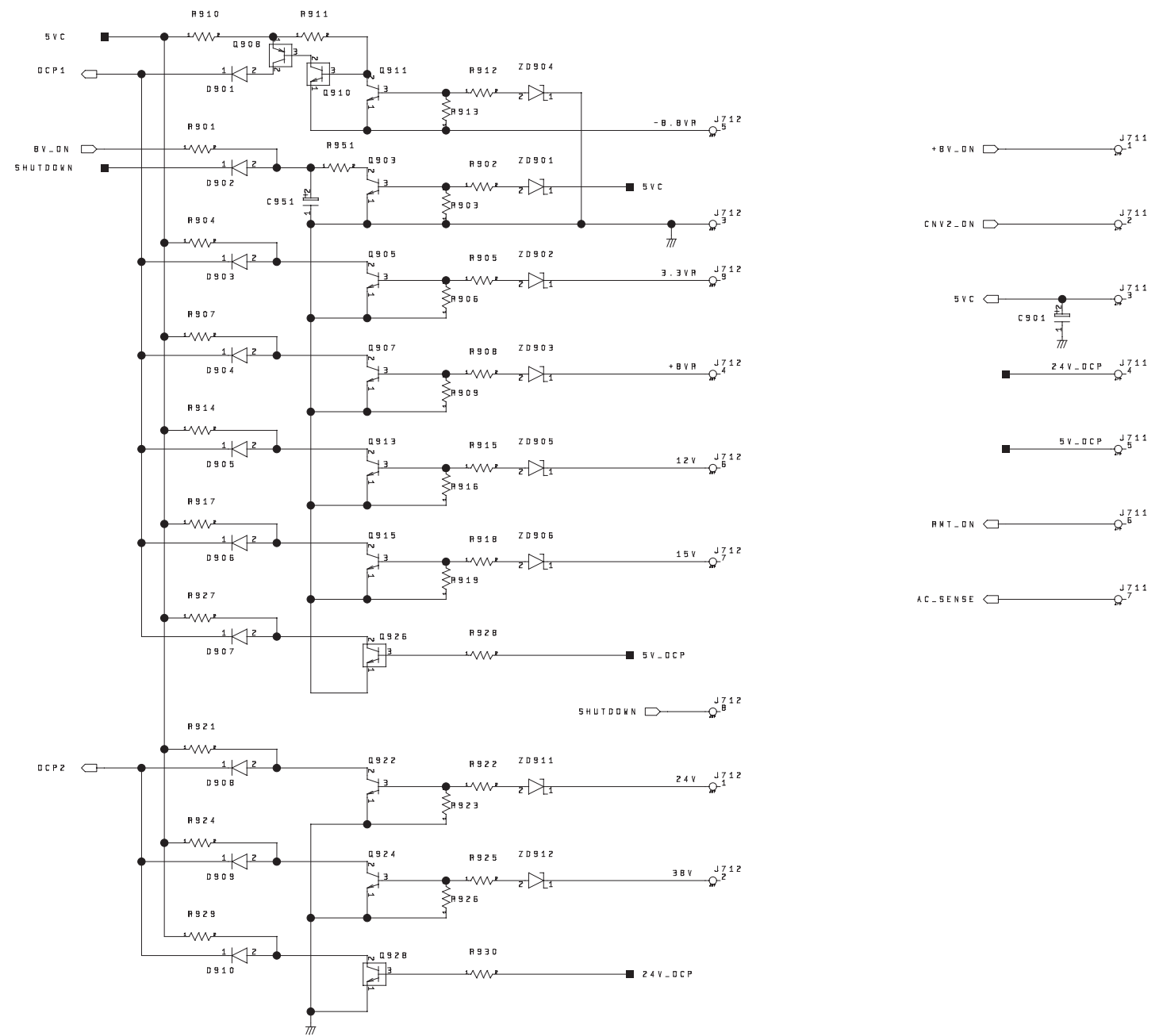
DC POWER SUPPLY SUB PCB2 (1/2)  
iR7105 / iR7095 / iR7086



F-3-30

DC POWER SUPPLY SUB PCB2 (2/2)  
iR7105 / iR7095 / iR7086





F-3-31



Feb 3 2006

**Canon**